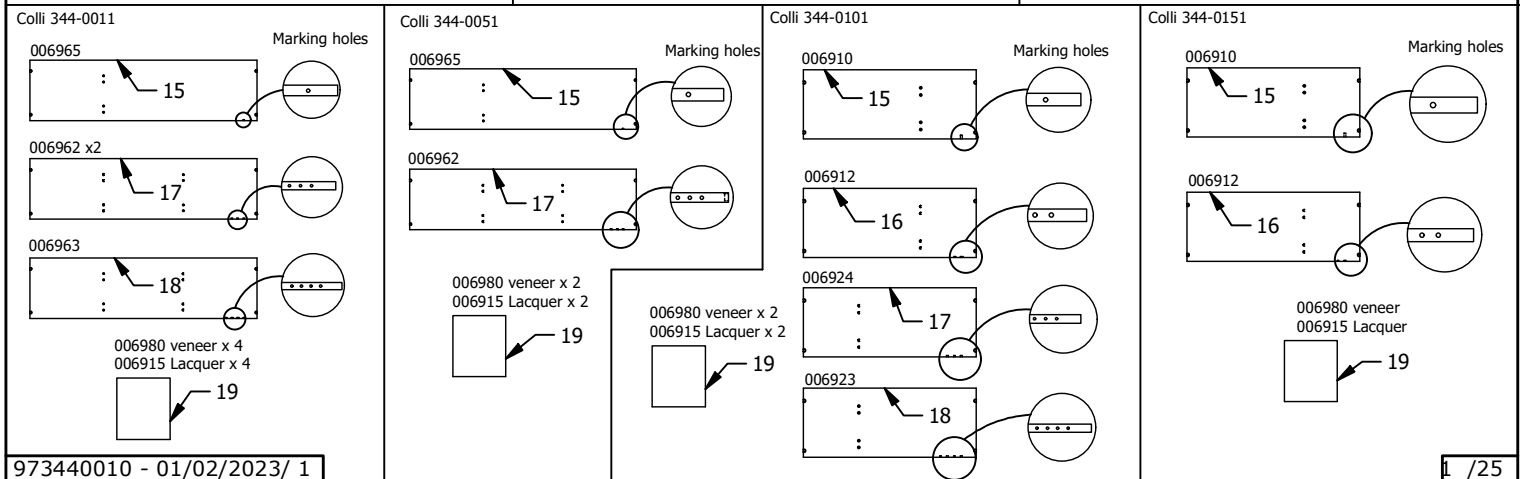
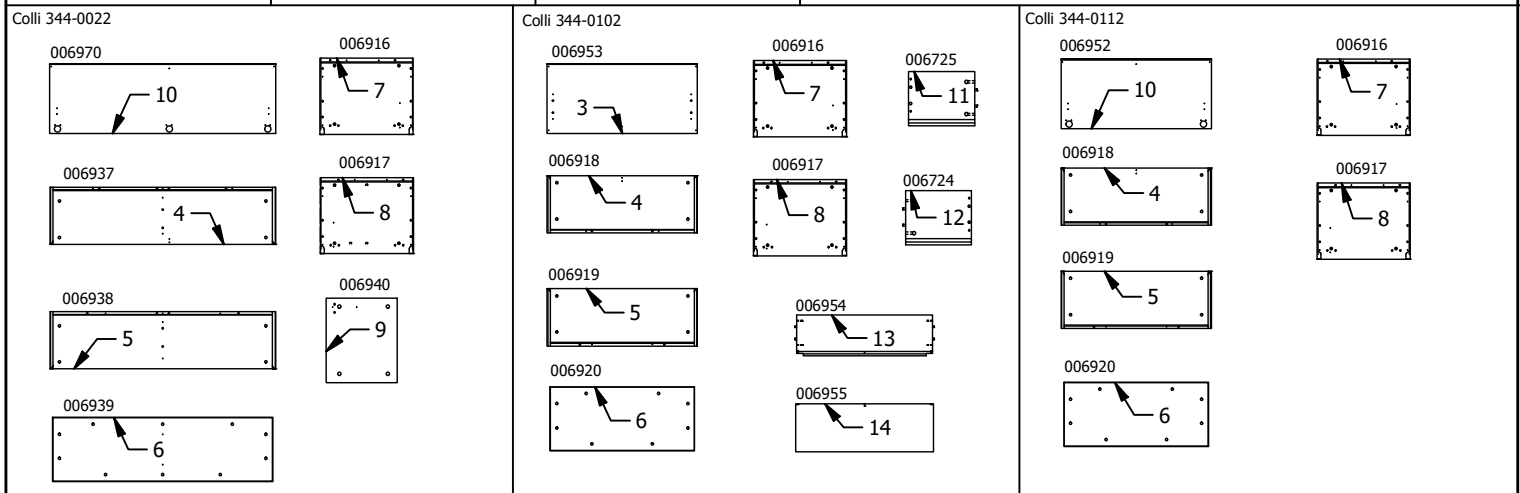
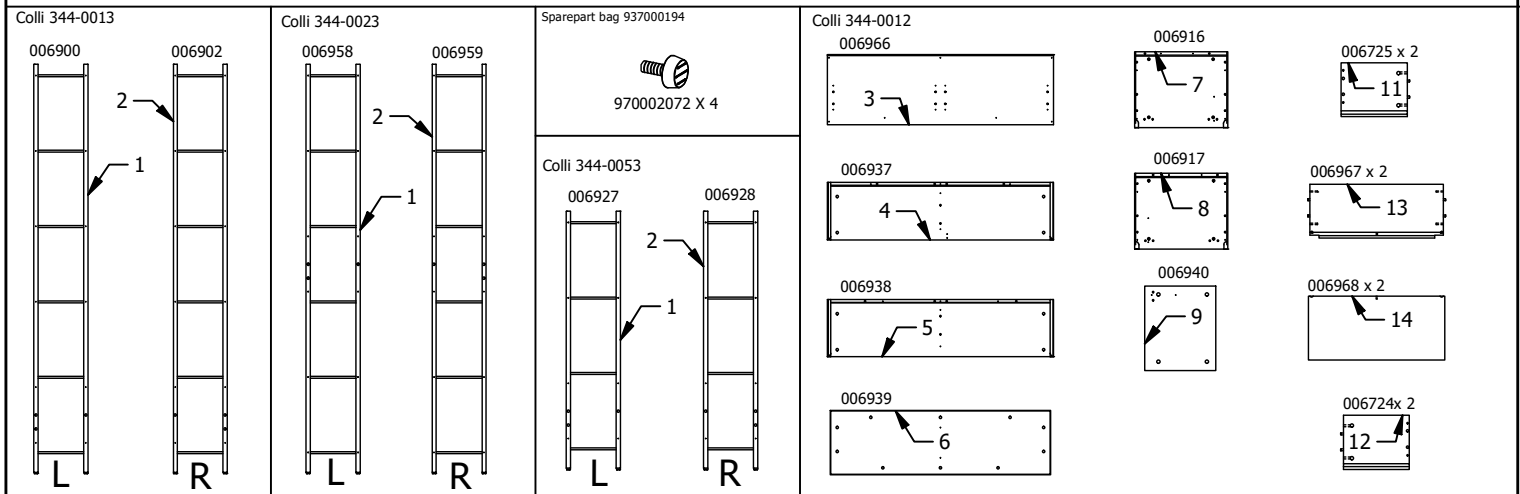
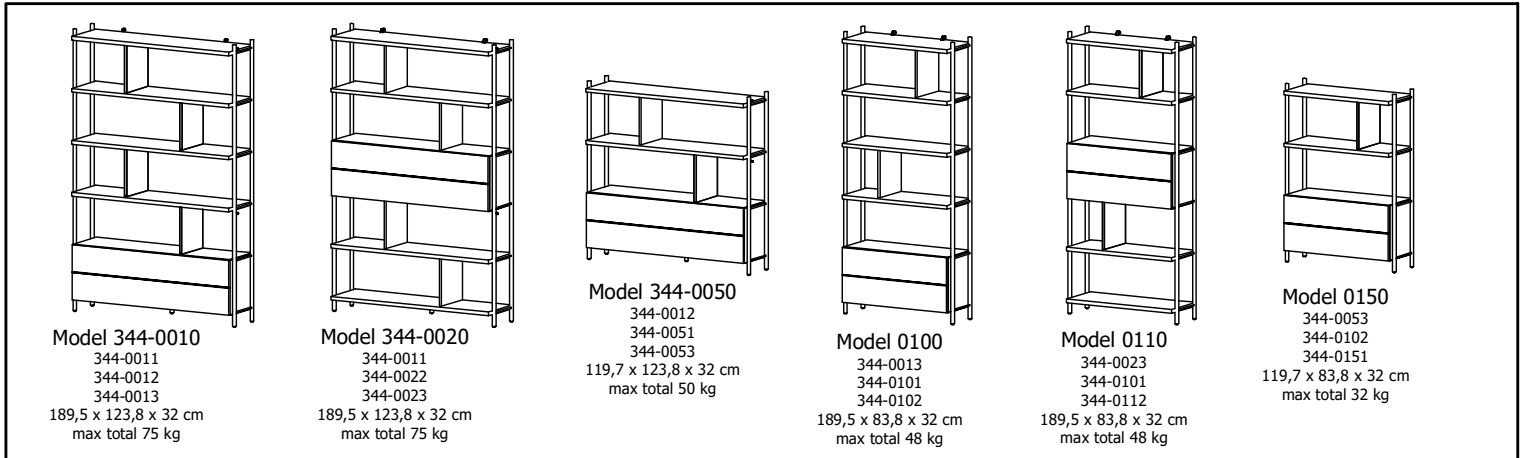


Calgary

Design by BoConcept

Samvejledning - Assembly Instructions - Montageanleitung - Instructions d'assemblage - Instrucciones de montaje

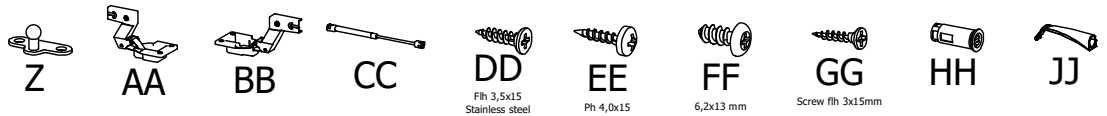




Fittingbox	Colli/Model	970001308	970002008	970002004	970001696	970001329	970001939	970001726	970001990	970001993	970001680
930001199	344-0012	6	28	22	30	20	2	2	12	5	8
930001200	344-0022	6	28	22	22	20	0	0	0	2	0
930001205	344-0102	6	20	16	20	16	1	1	6	4	4
930001206	344-0112	6	20	16	16	16	0	0	0	2	0



Fittingbox	Colli/Model	970001718	970001056	970001204	970002005	970002044	970002105	970001118 970002106	970000786	970001046	970001325
930001199	344-0012	8	8	8	8	8	22	2	6	0	0
930001200	344-0022	0	0	0	0	8	22	2	6	2	3
930001205	344-0102	4	4	4	4	8	22	2	2	0	0
930001206	344-0112	0	0	0	0	8	22	2	2	2	2



Fittingbox	Colli/Model	970001327	970001326	970001404	970001412	970001095	970001420	970001419	970001717	970001810	970001819
930001199	344-0012	0	0	0	0	0	0	0	0	0	0
930001200	344-0022	2	2	1	2	6	4	4	2	1	1
930001205	344-0102	0	0	0	0	0	0	0	0	0	0
930001206	344-0112	2	1	1	2	4	4	4	2	1	1



Fittingbox	Colli/Model	970001820	970000760	970001735	970000611	970002100
930001199	344-0012	0	0	0	2	1
930001200	344-0022	1	1	1	2	1
930001205	344-0102	0	0	0	0	0
930001206	344-0112	1	1	1	0	0



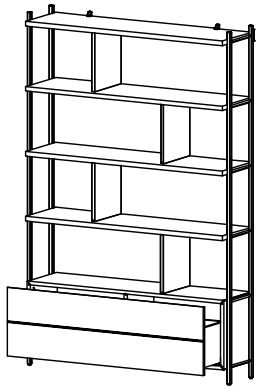
Fittingbox	Colli/Model	970001986	970001985	970001989	970001988	Fitting bag	Colli/Model	970002079	970002092
930001151	344-0102 / (0012 x 2)	1	1	1	1	937000192	344-0013/0023/0053	3	1



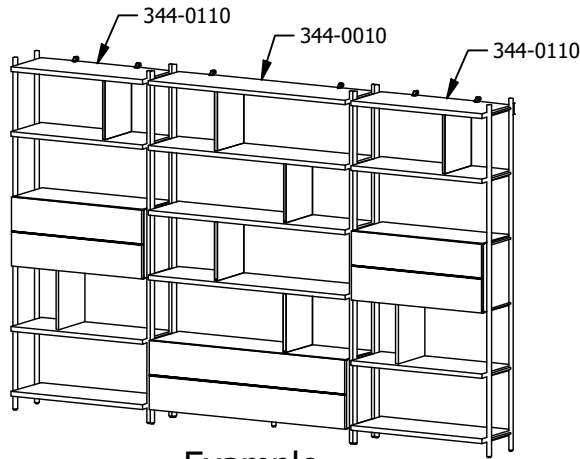
Fitting box Ash/Nature oak	Fitting box Dark oak	Colli/Model	970002090/ 970002093	970002089	970002097/ 970002095	970002096/ 970002094	970001573
930001197	930001198	344-0011	16	16	2	2	16
930001201	930001202	344-0051	8	8	2	2	8
930001203	930001204	344-0101	16	16	2	2	8
930001208	930001207	344-0151	8	8	2	2	4



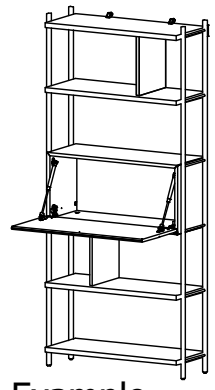
Fitting box Ash grey	Fitting box Veneer	Colli/Model	970000623/ 970000622/ 970001361
930001197	930001198	344-0011	0
930001201	930001202	344-0051	4
930001203	930001204	344-0101	4
930001208	930001207	344-0151	4



Example



Example



Example



DDD

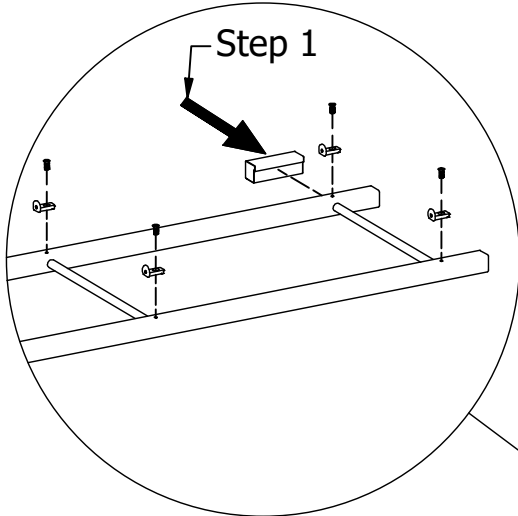


VV

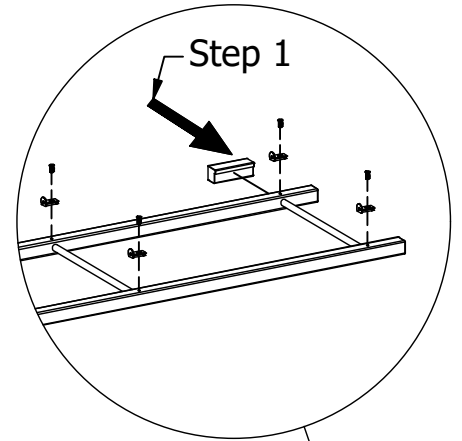


S

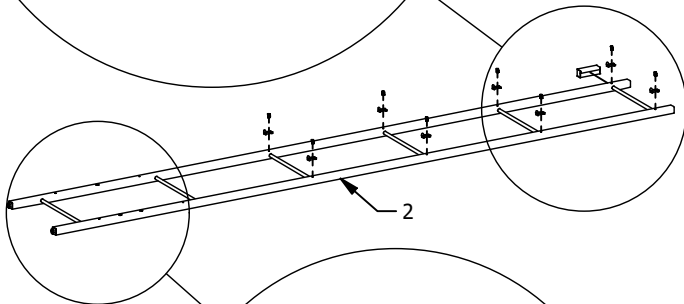
M4x10 mm



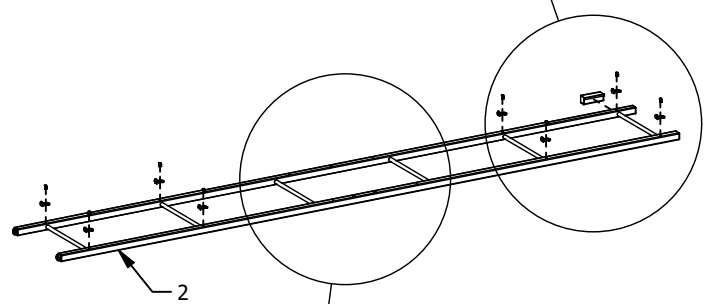
Step 1



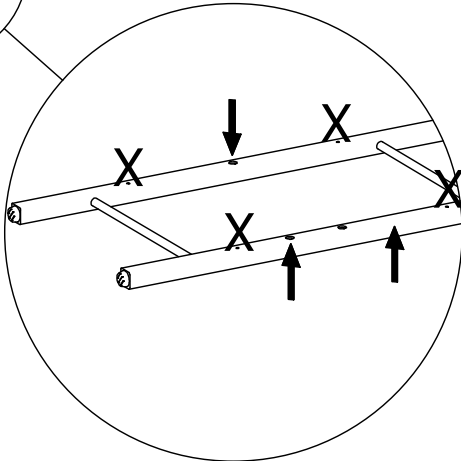
Step 1



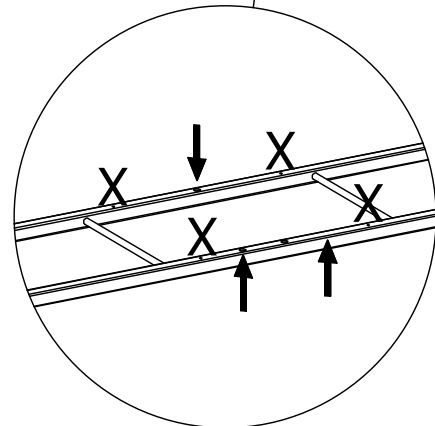
2



2



1



1

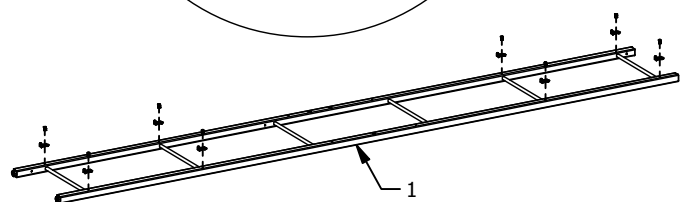
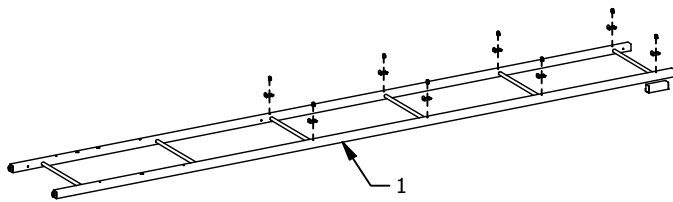


FIG. 2

FIG. 2

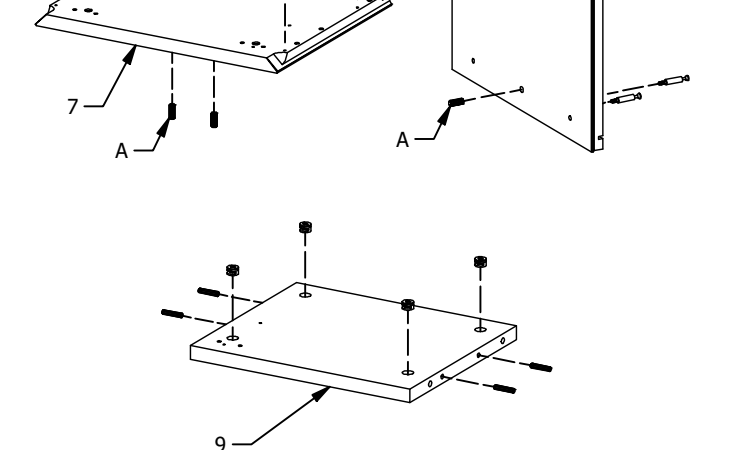
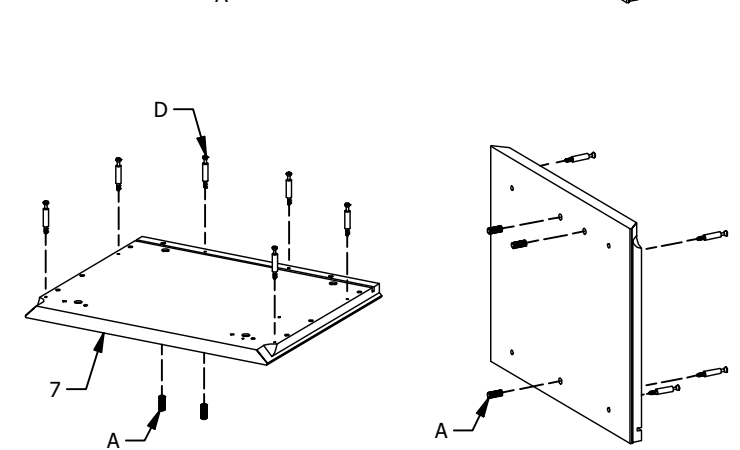
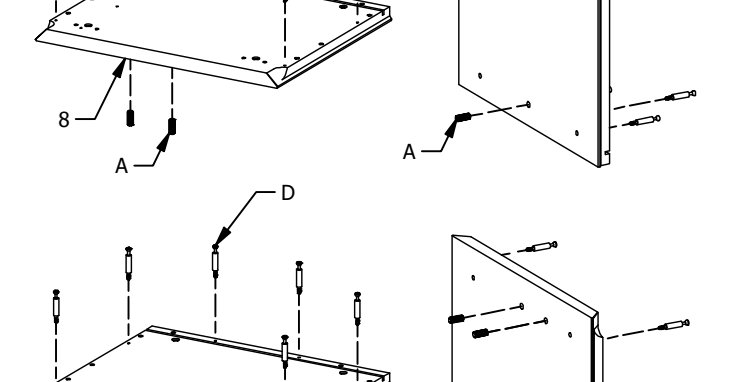
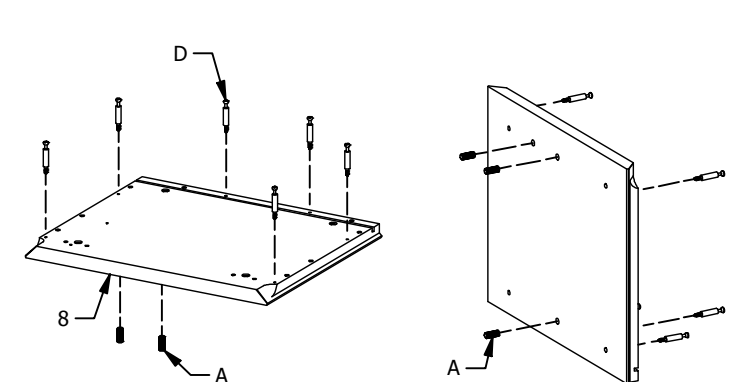
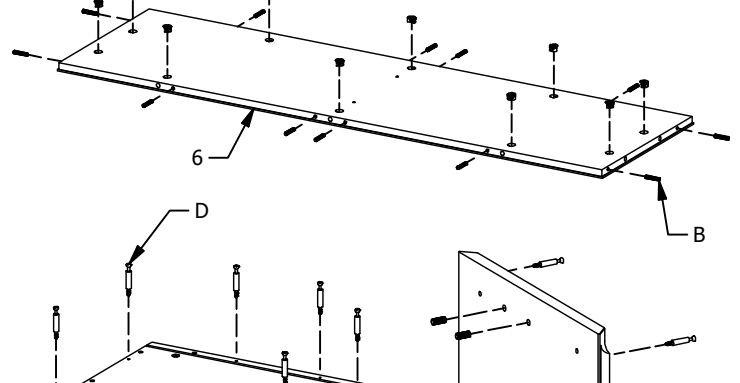
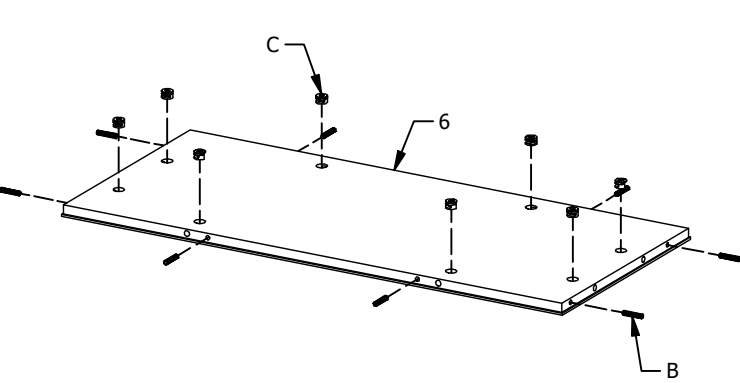
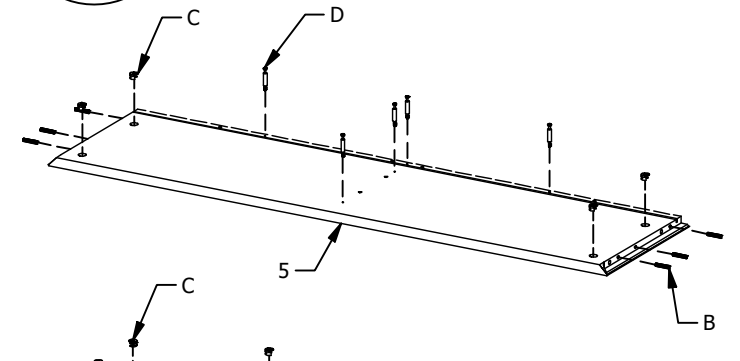
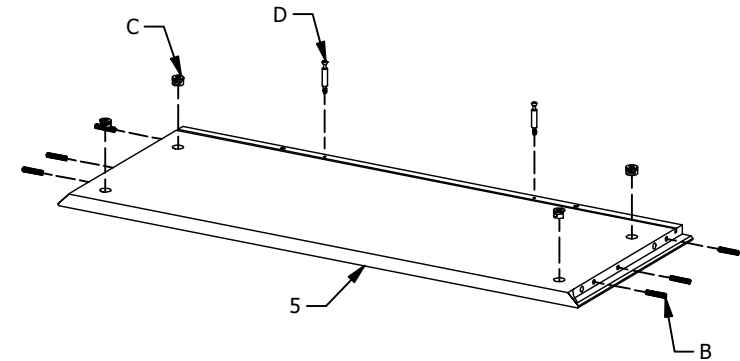
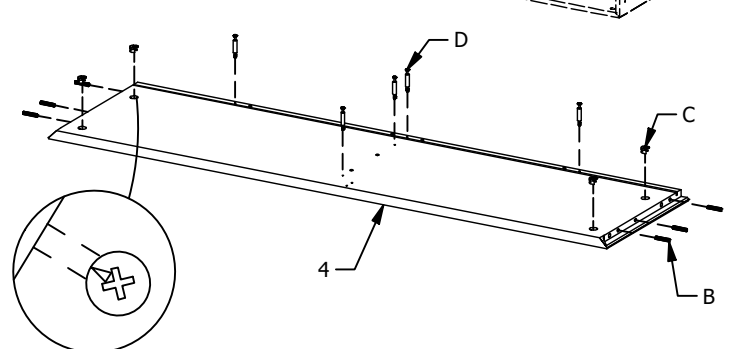
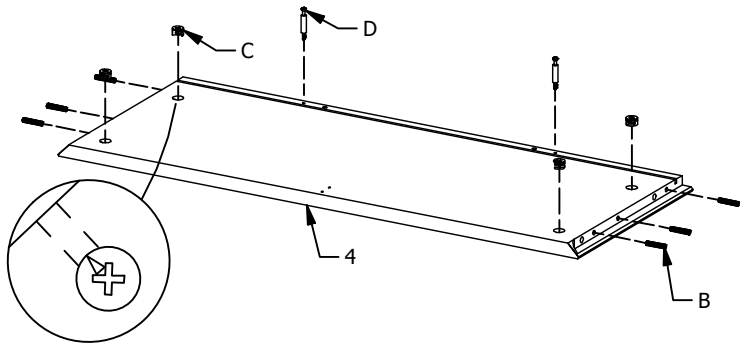
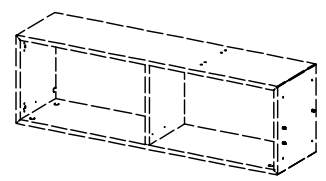
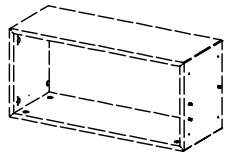
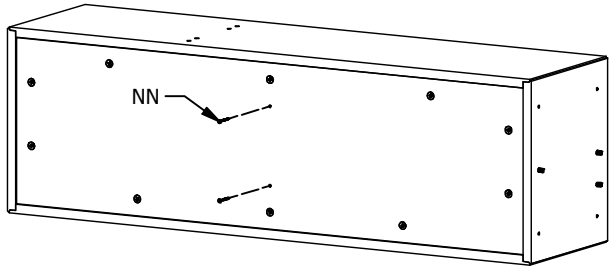
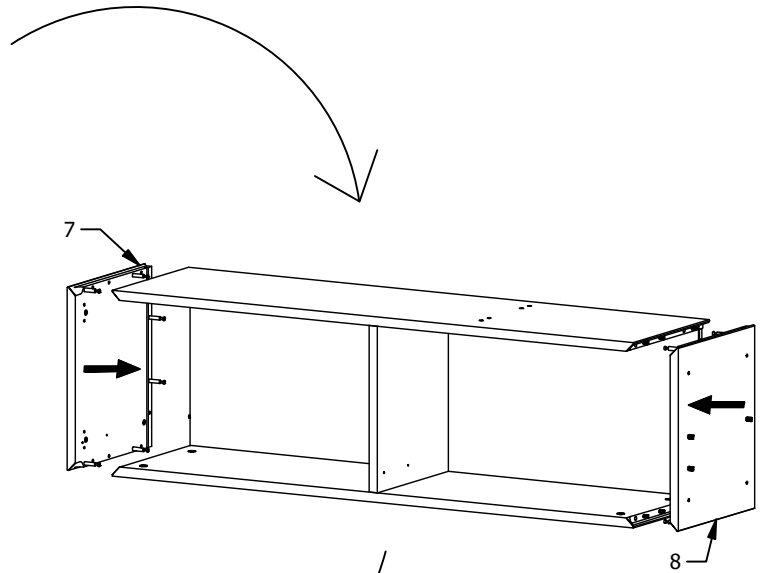
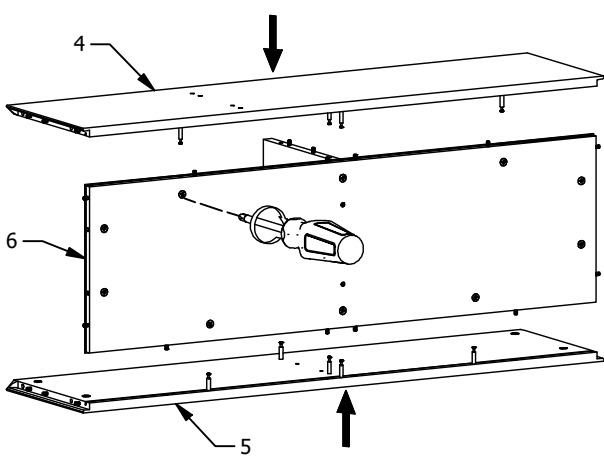
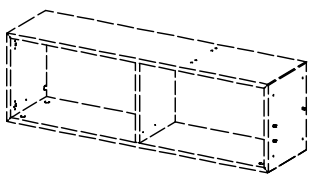
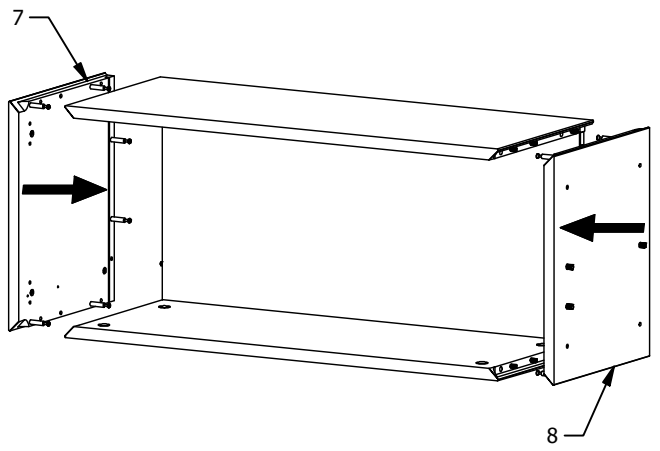
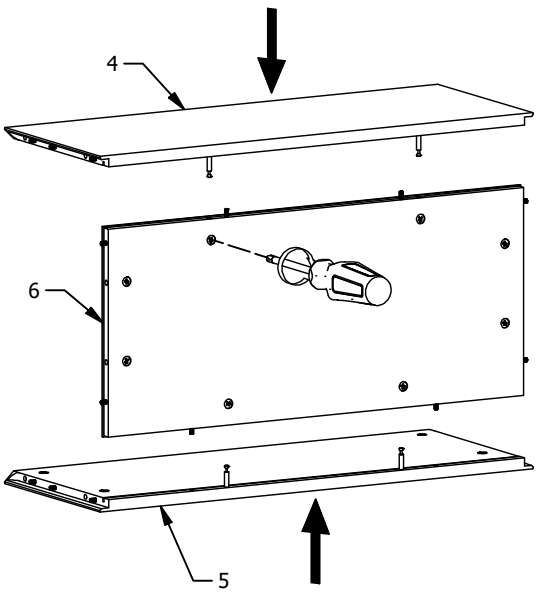
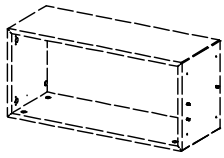


FIG. 3



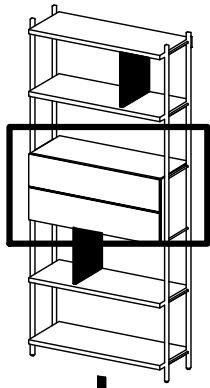


Fig. 5

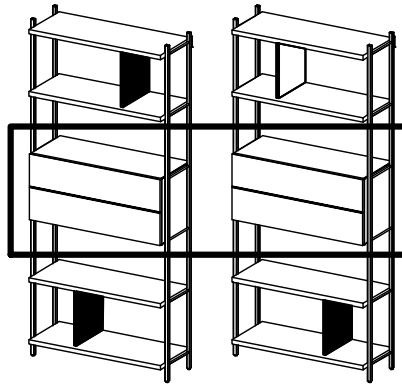


Fig. 9

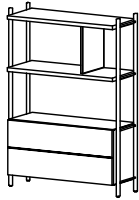
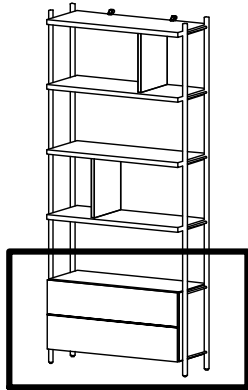


Fig. 13

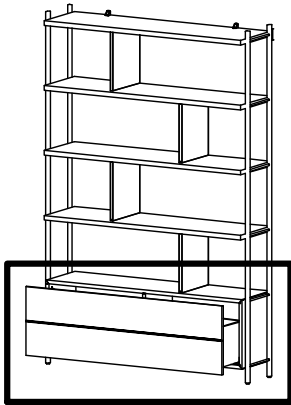


Fig. 16,5

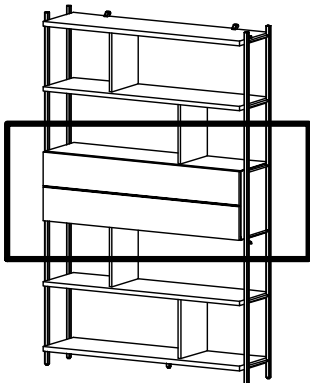


Fig. 19

FIG. 5

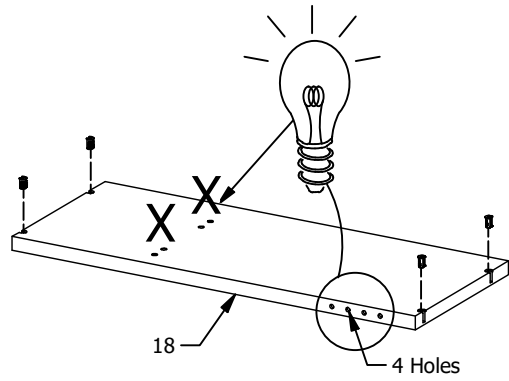
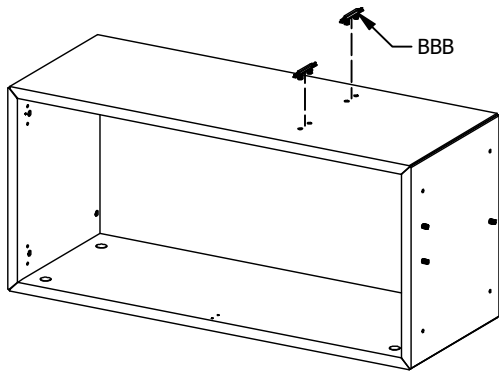
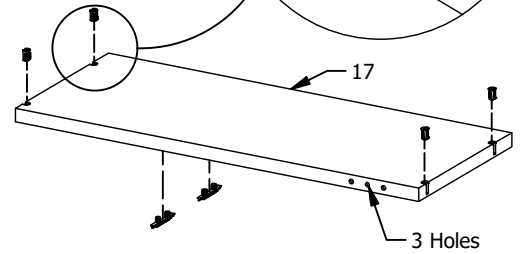
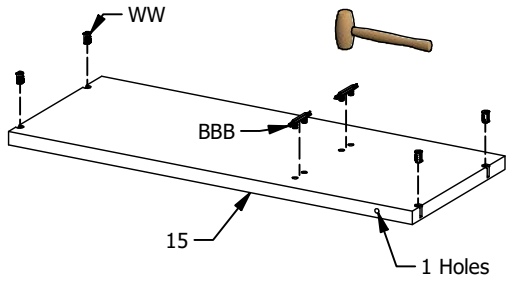
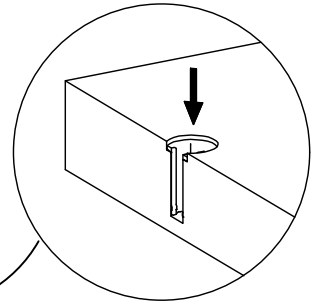
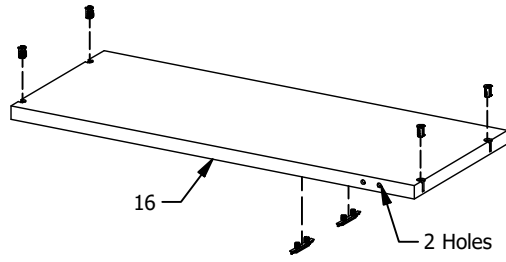
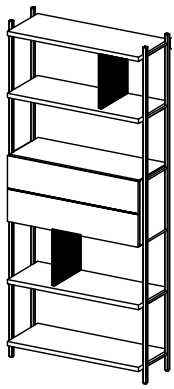


FIG. 6

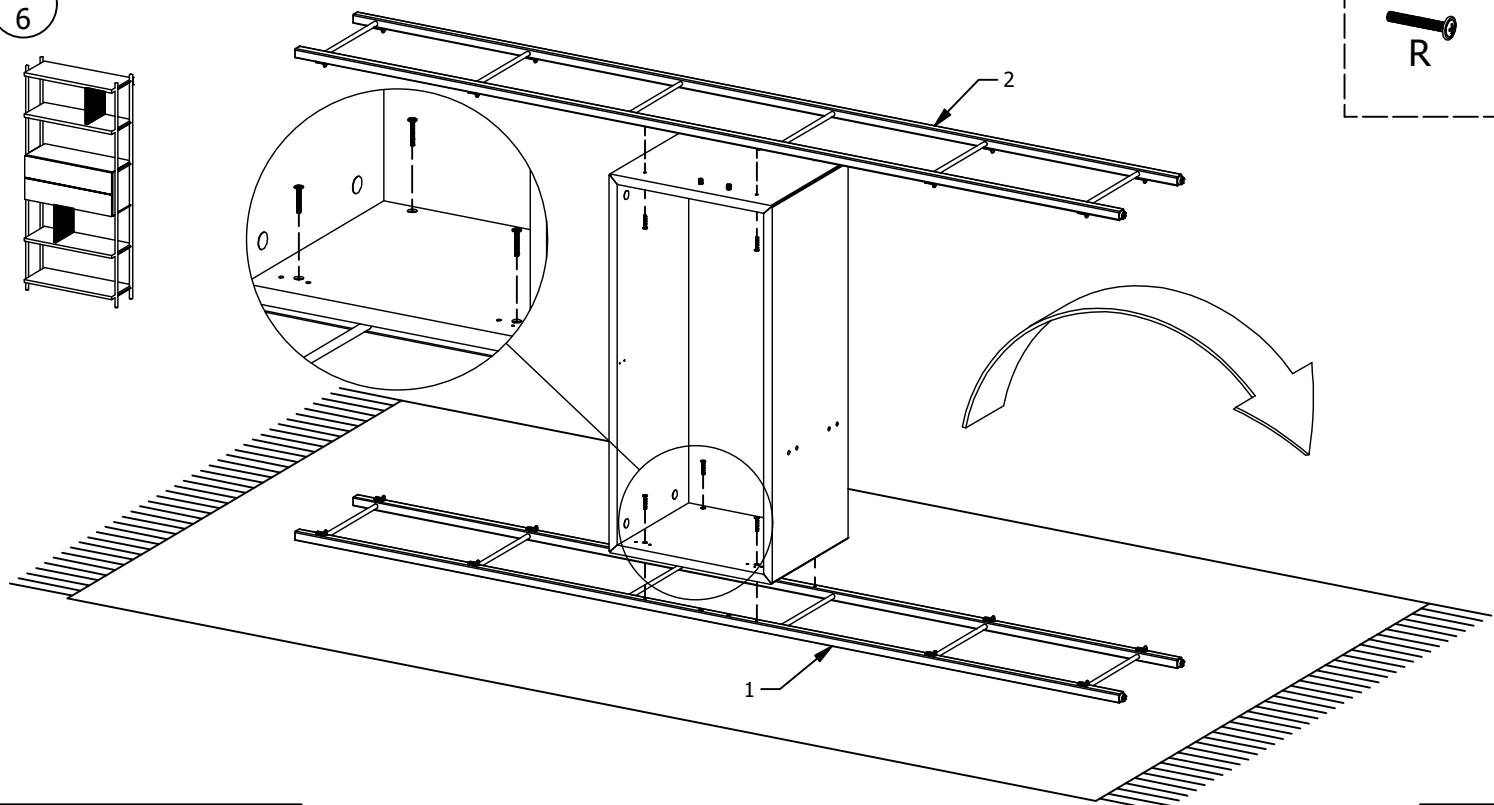
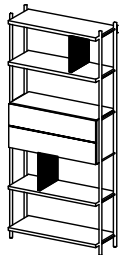
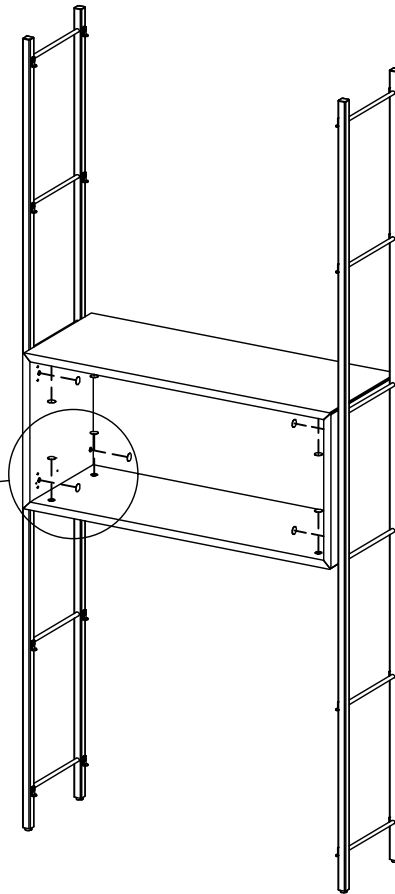
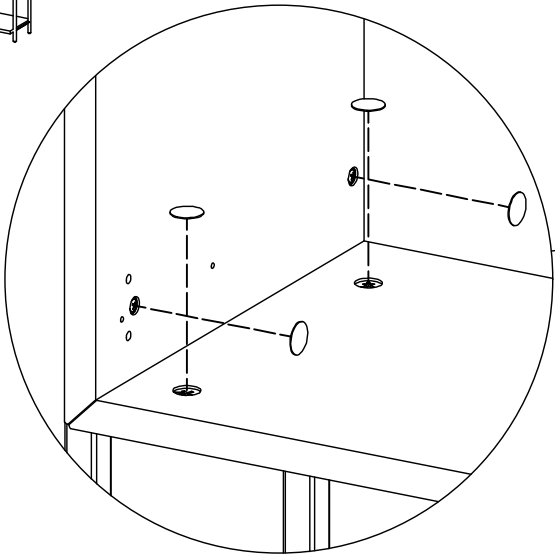
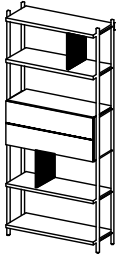


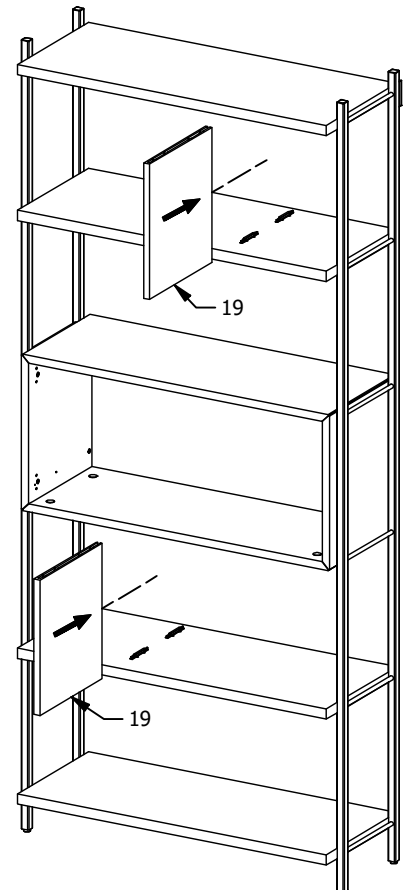
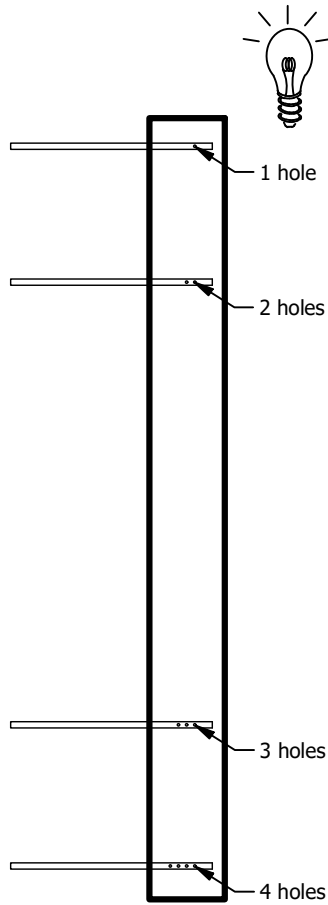
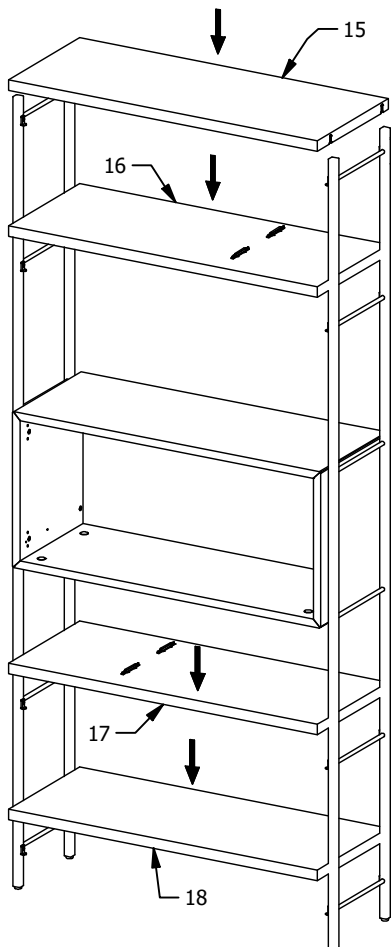
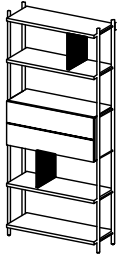
FIG. 7



E

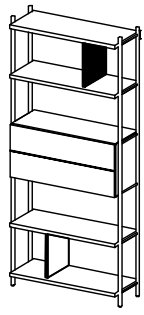
Ash grey 18x0,5 mm

FIG. 8



➔ Fig. 22

FIG. 9



OR

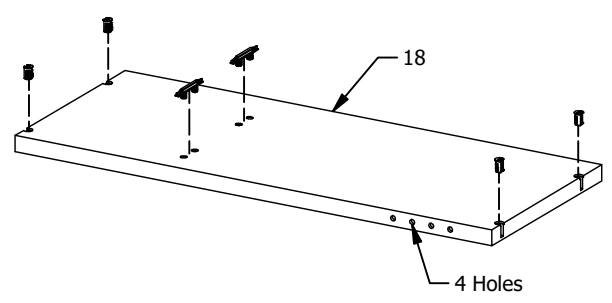
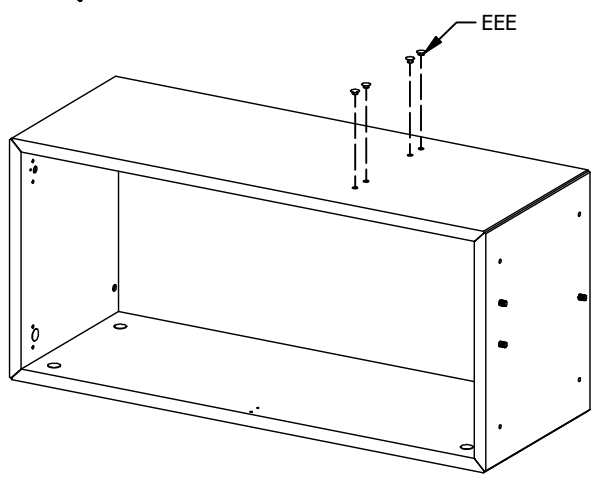
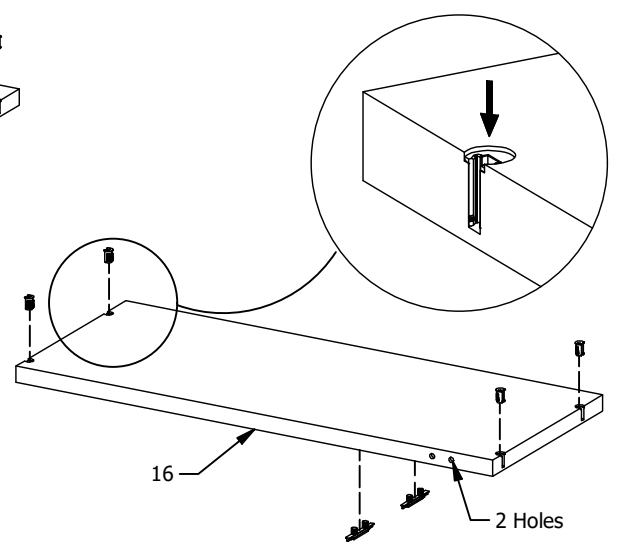
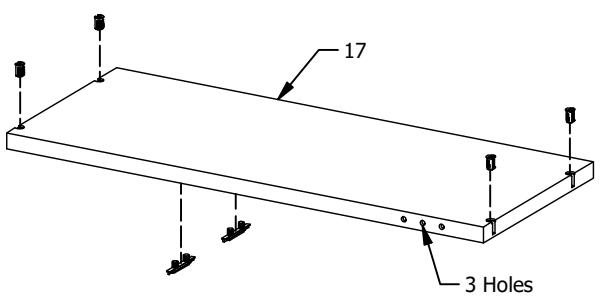
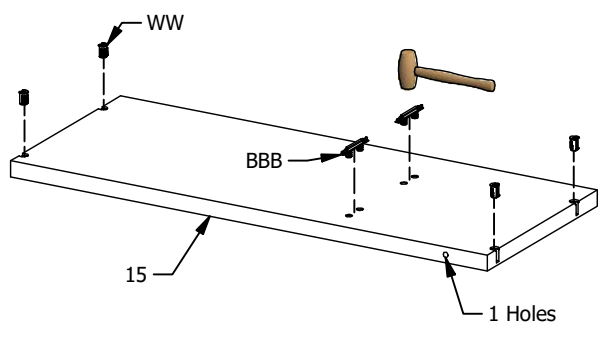
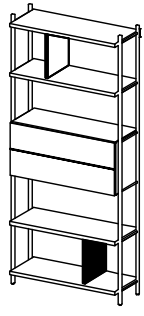


FIG. 10

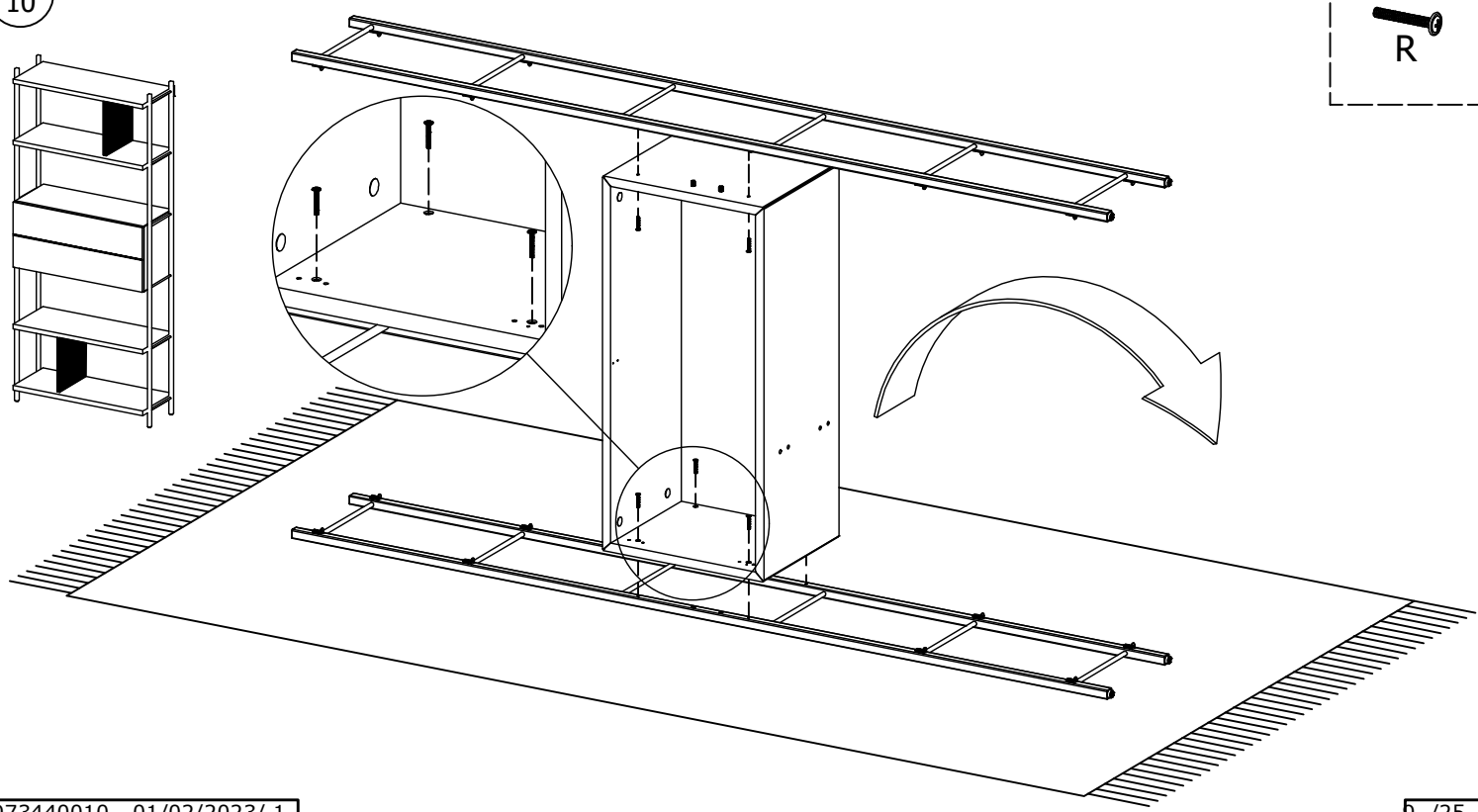
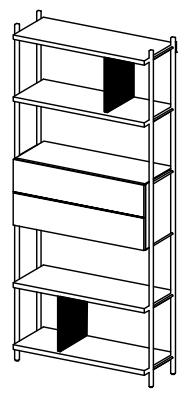
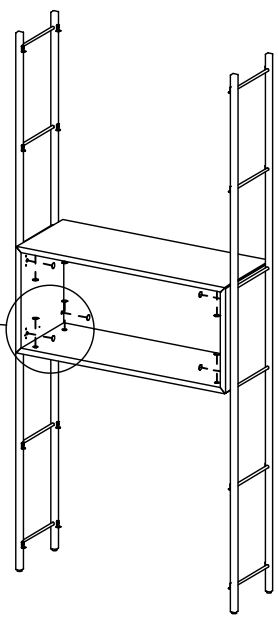
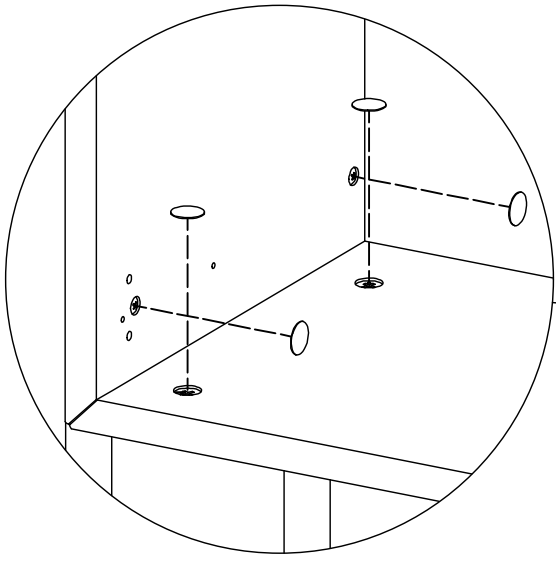
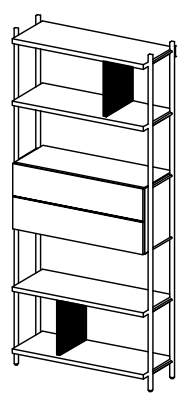
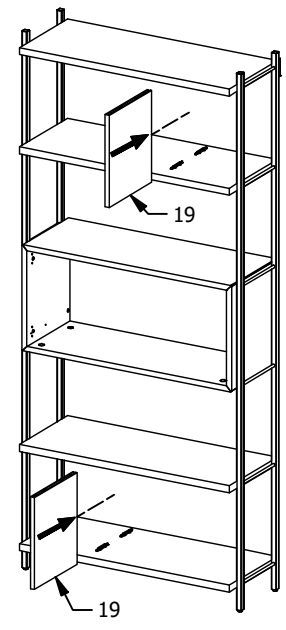
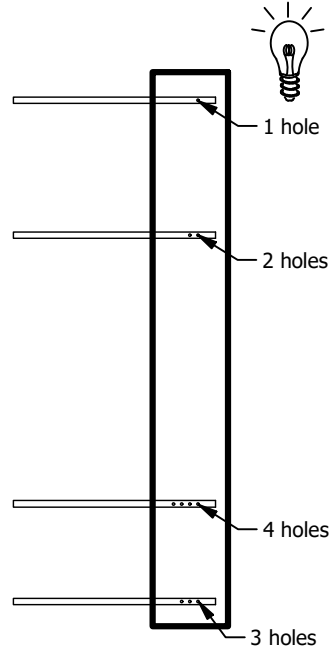
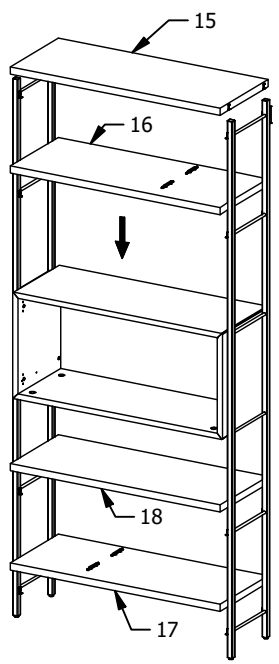
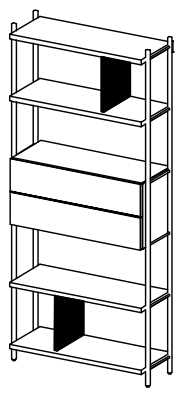


FIG. 11

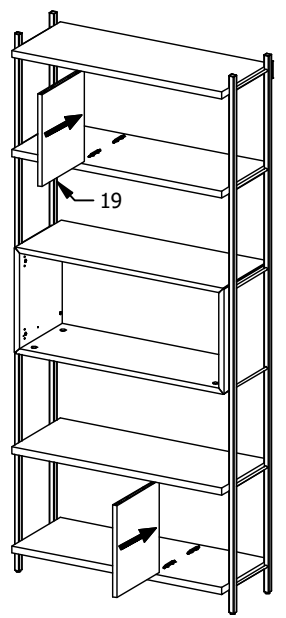
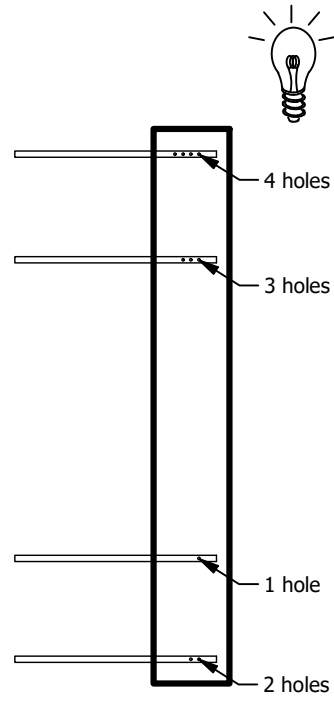
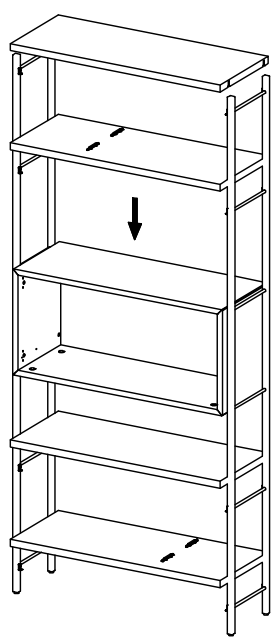
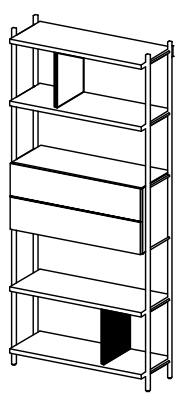


E
Ash grey 18x0,5 mm

FIG. 12



OR



➔ Fig. 22

FIG. 13

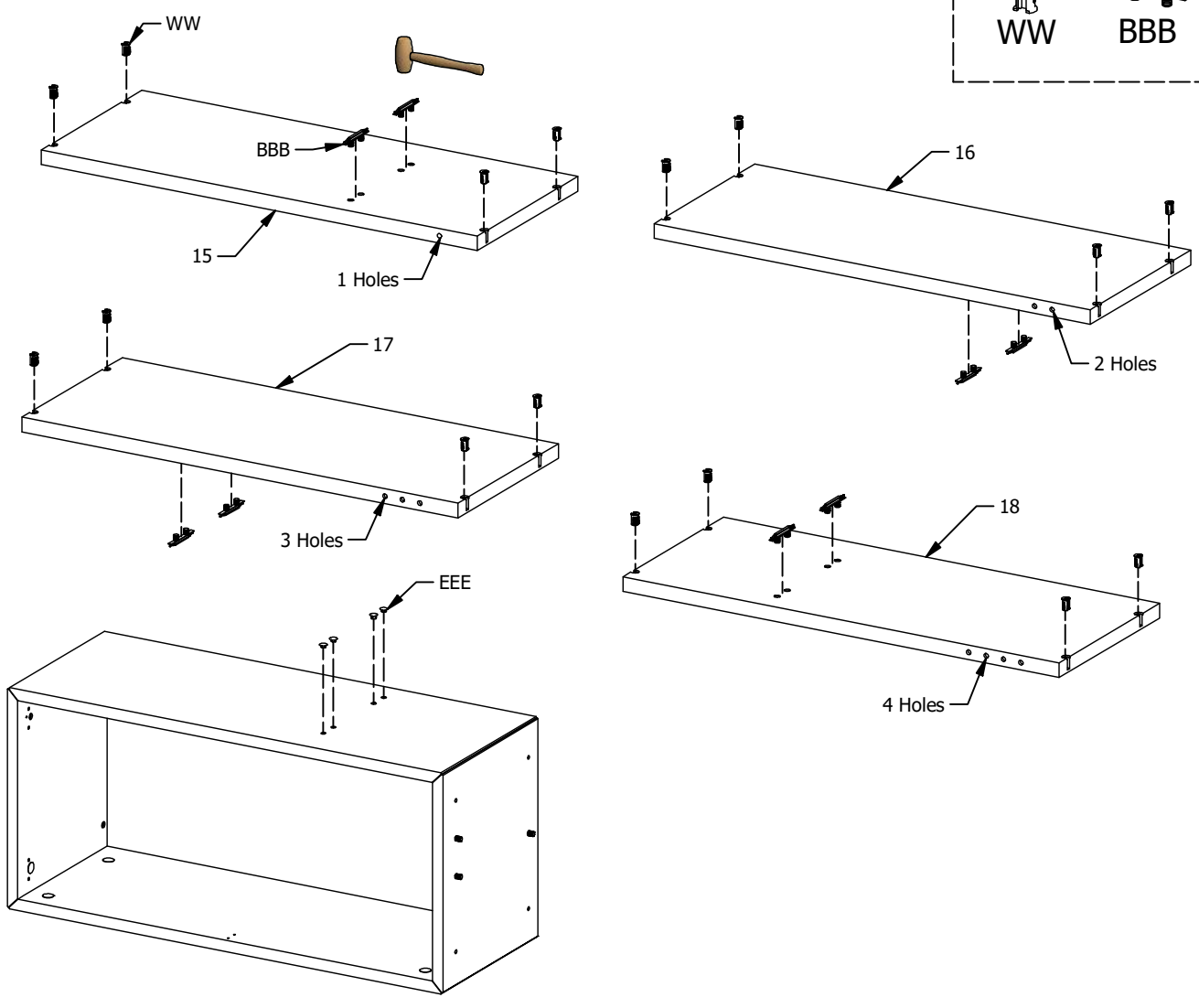
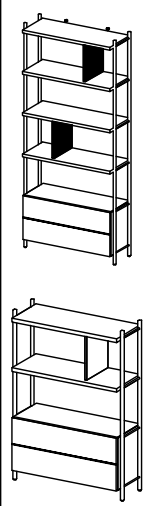


FIG. 14...

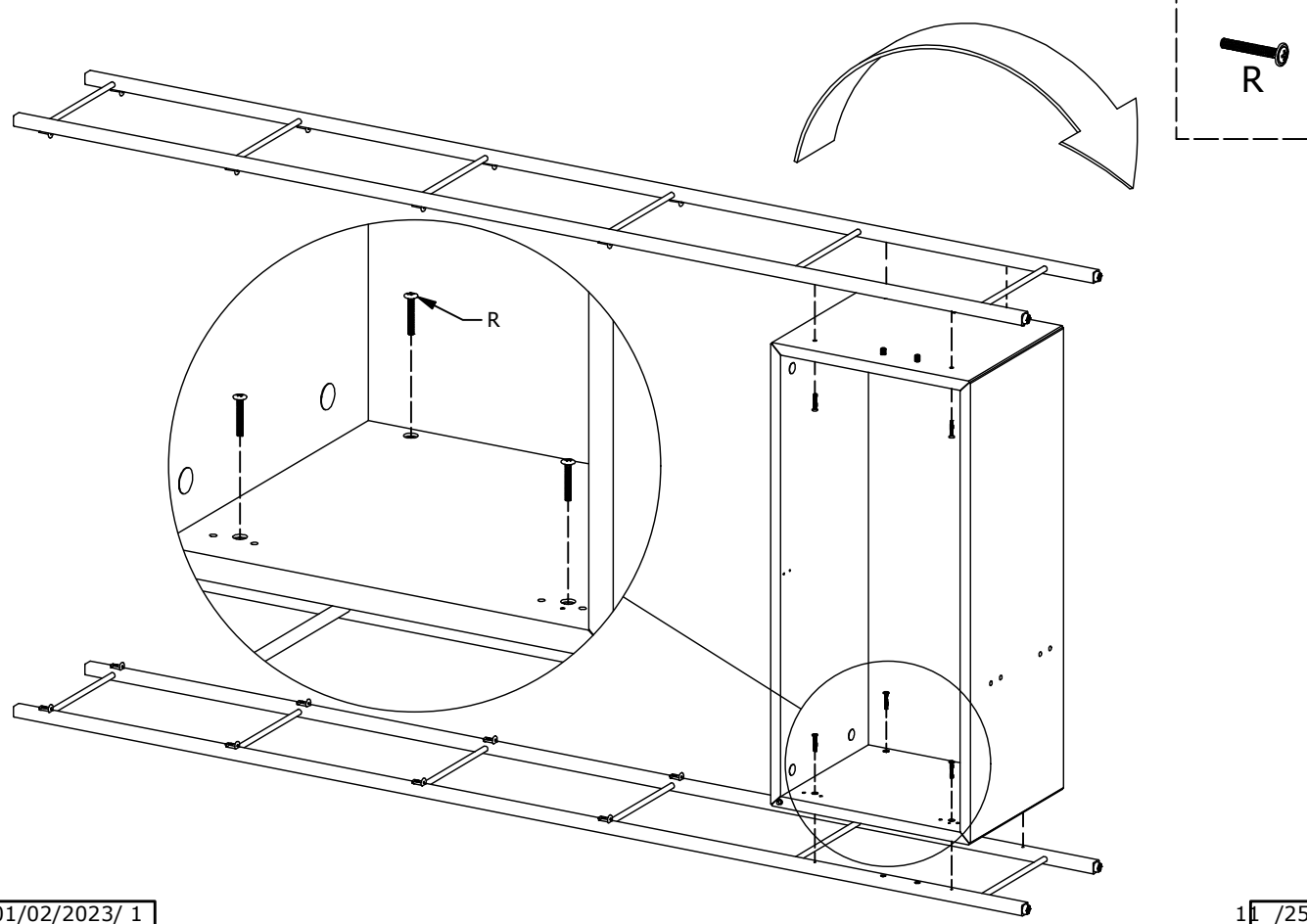
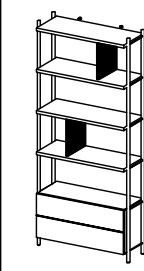
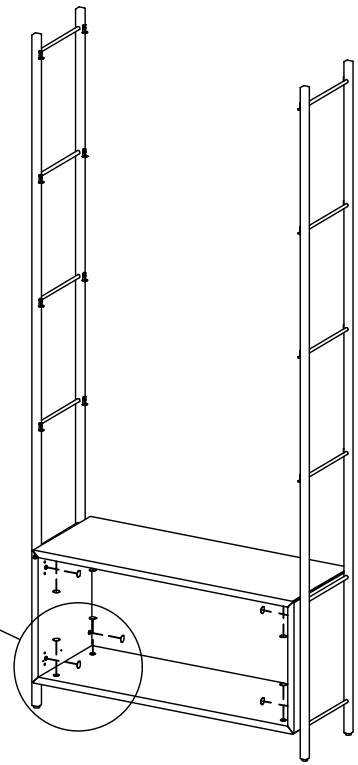
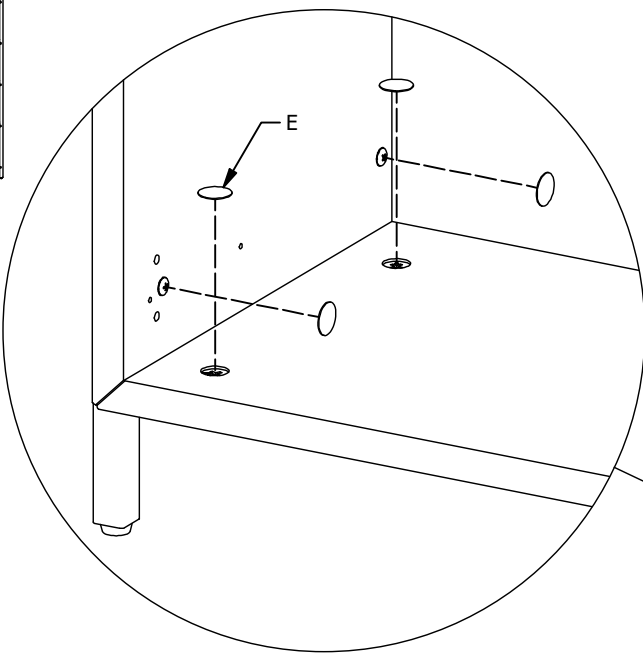
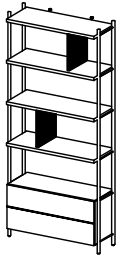
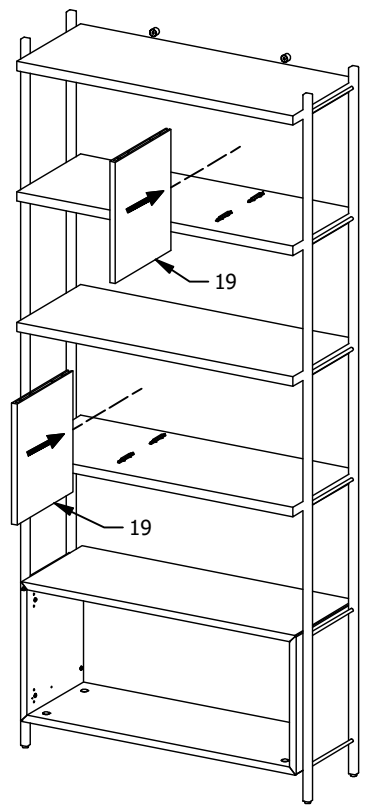
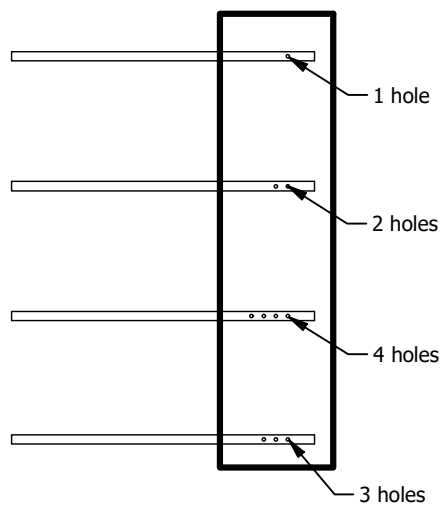
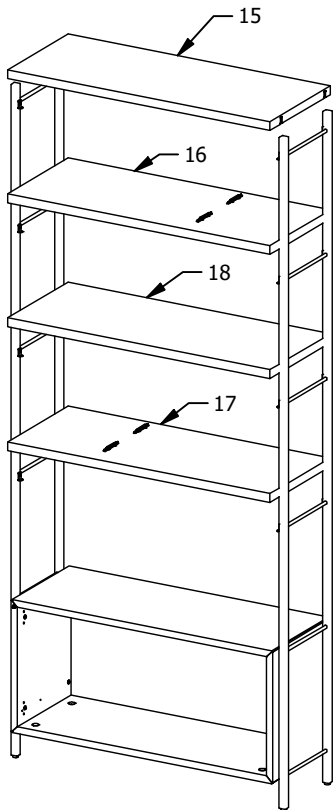
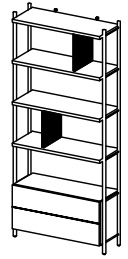


FIG. 15...



E
Ash grey 18x0,5 mm

FIG. 16...



➔ Fig. 25

FIG. 16,5



PP

U

WW

BBB

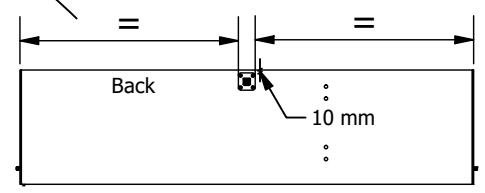
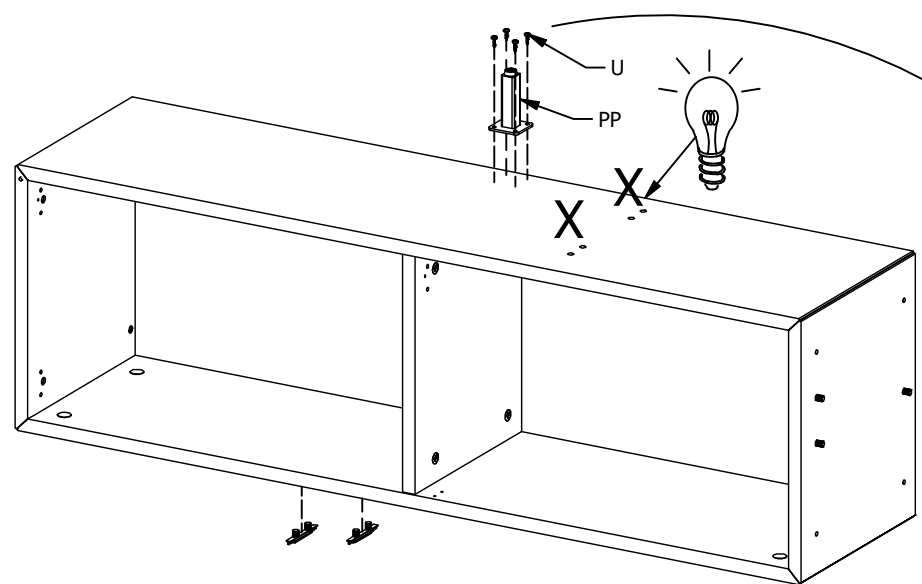
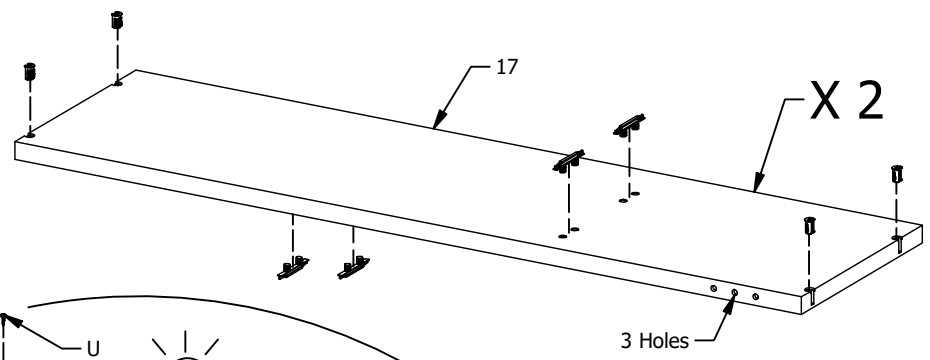
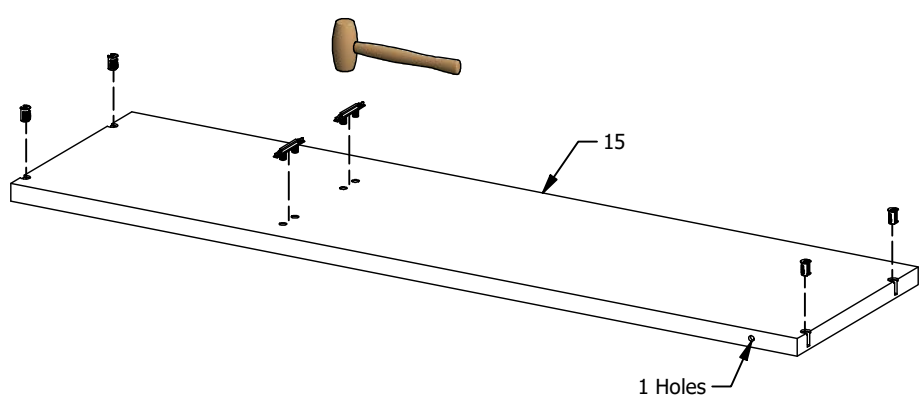
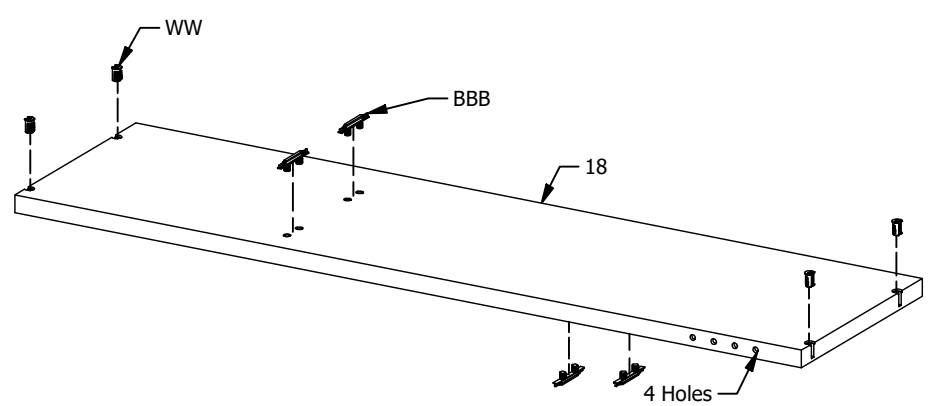
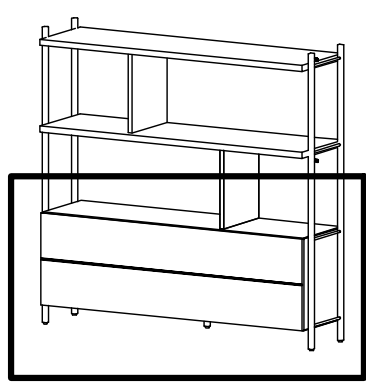
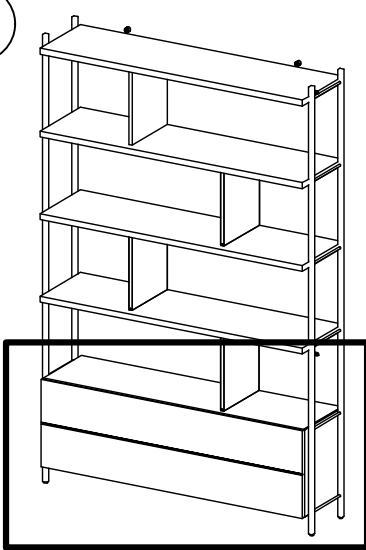


FIG. 17...

E
Ash grey 18x0,5 mm
R

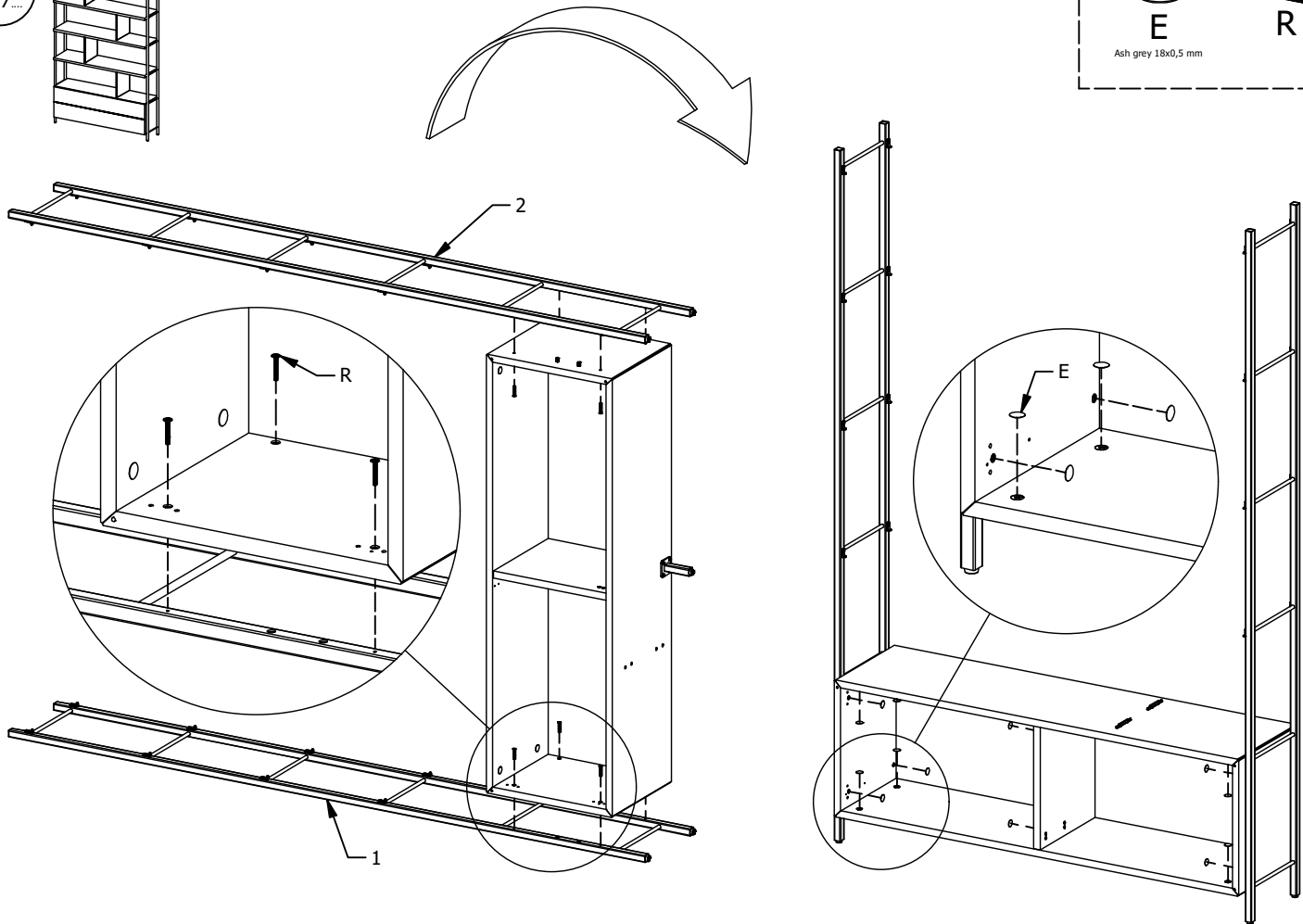


FIG. 18...

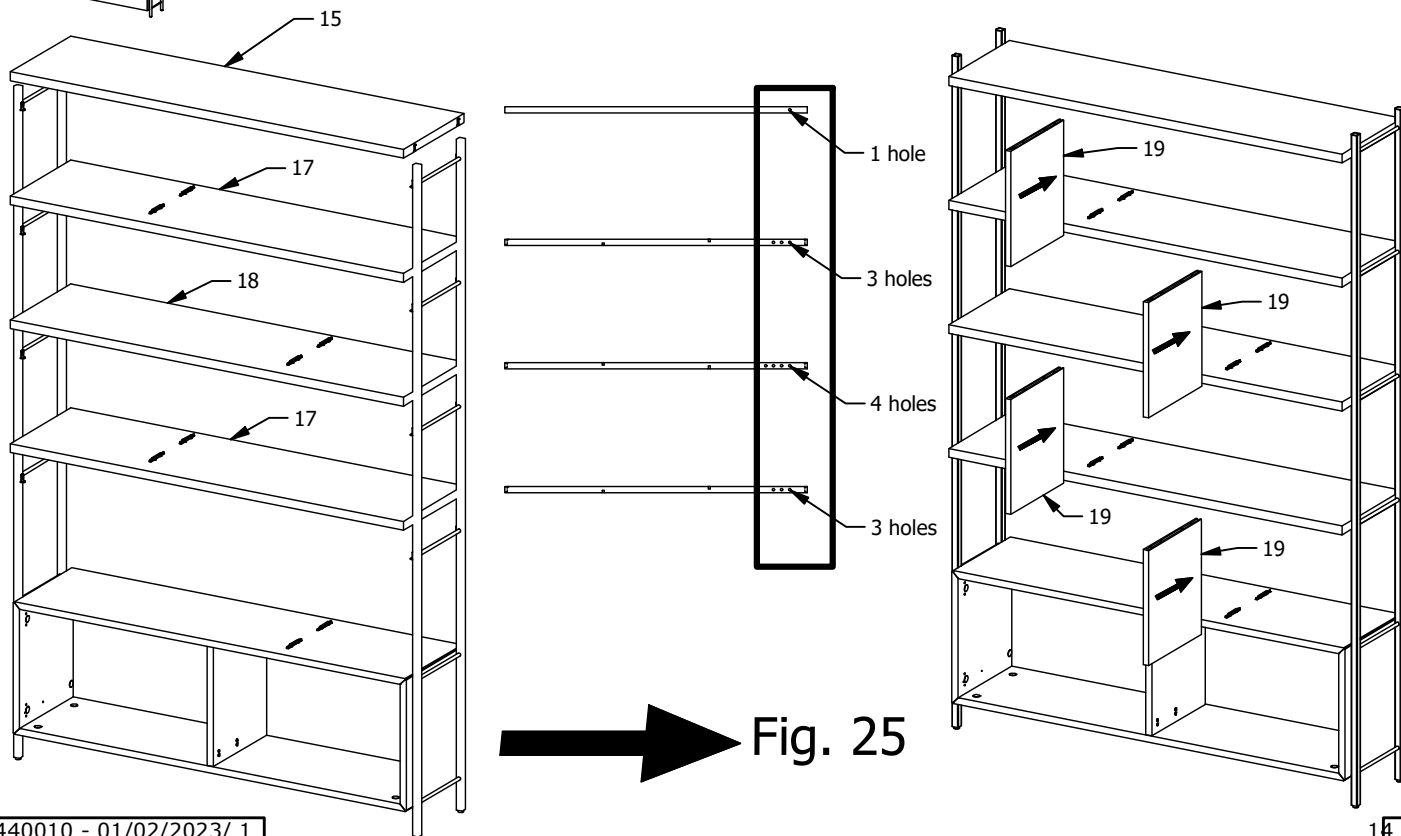


FIG. 19...

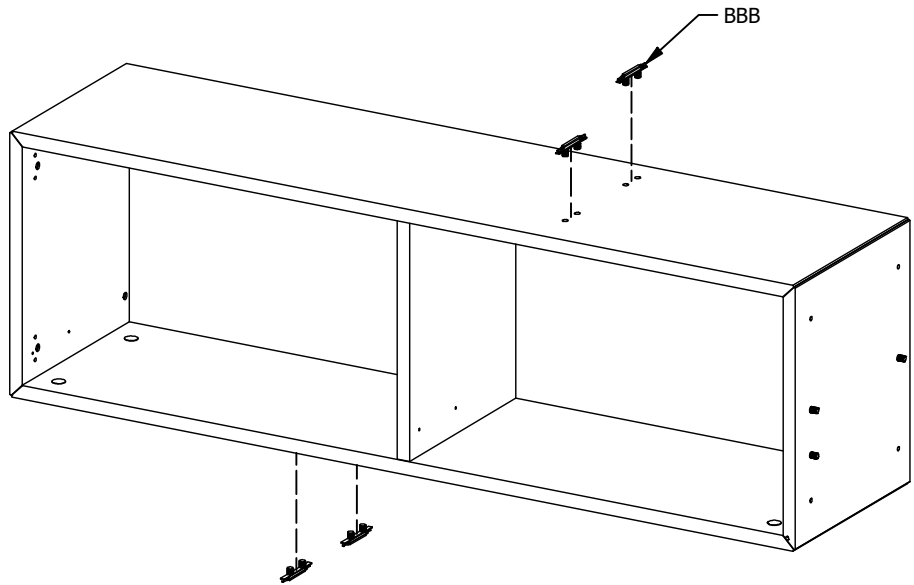
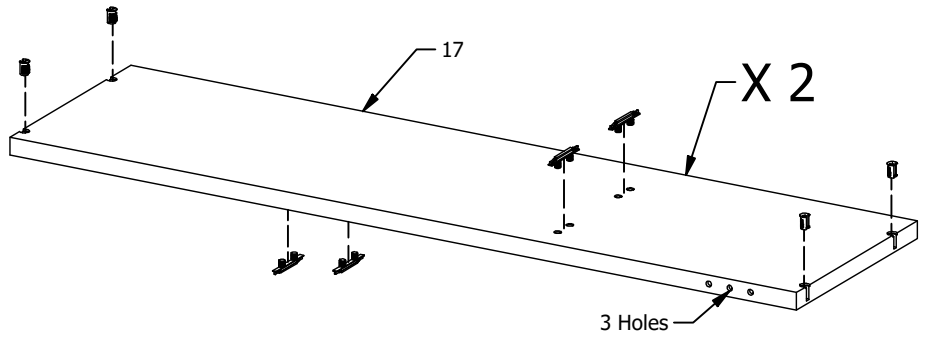
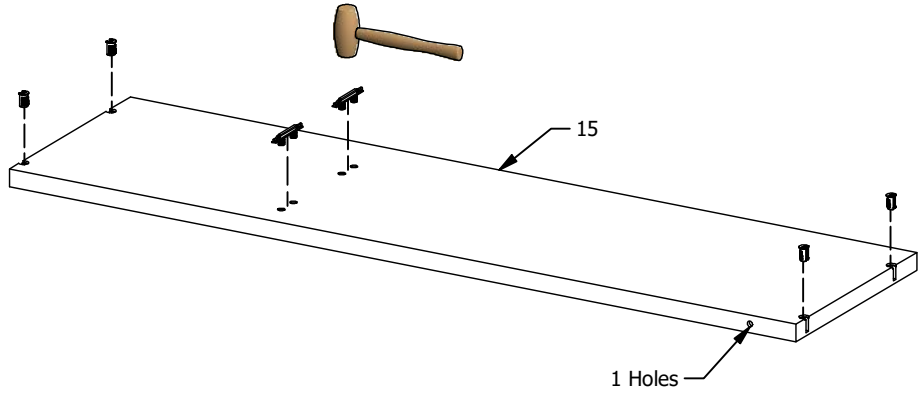
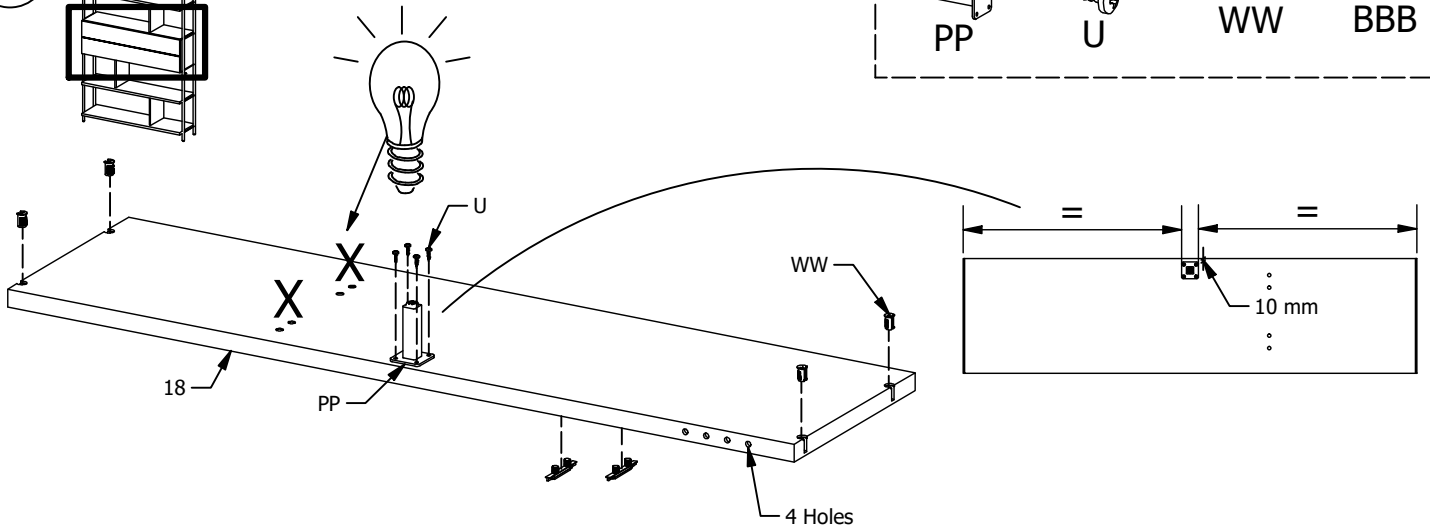
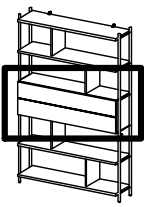


FIG. 20...

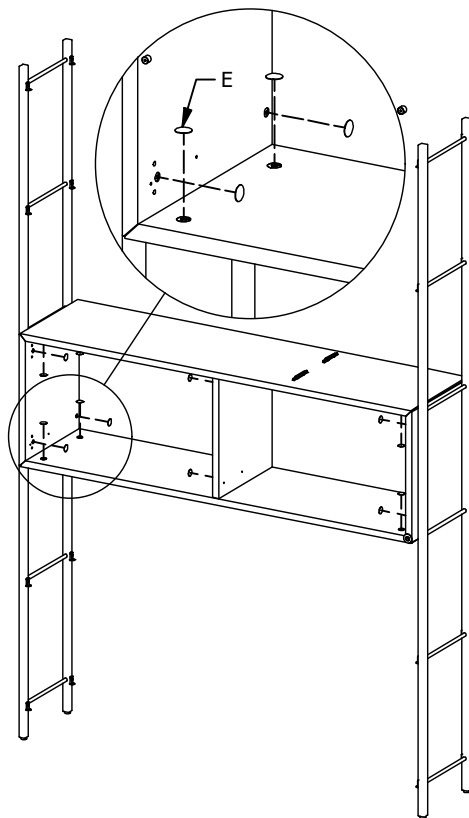
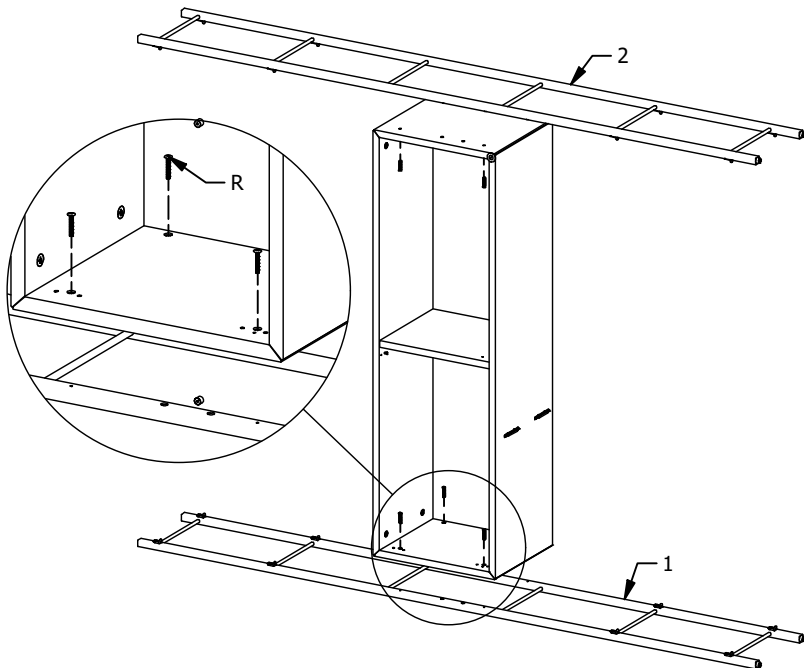
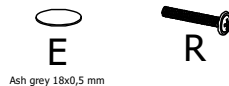
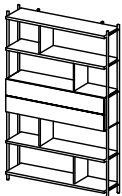


FIG. 21...

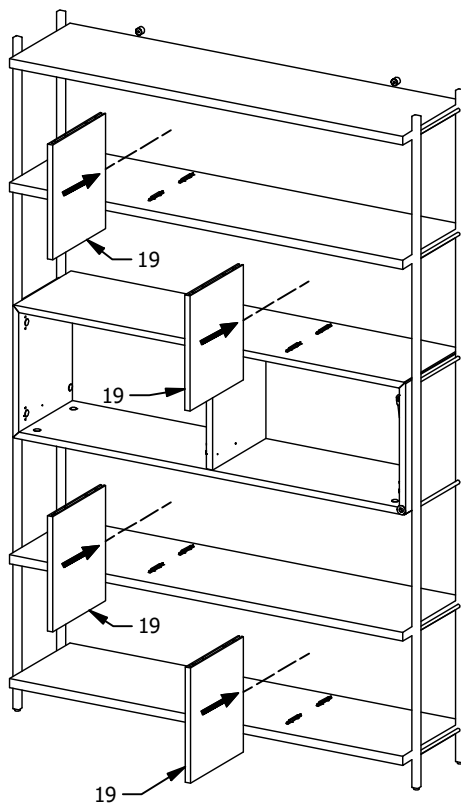
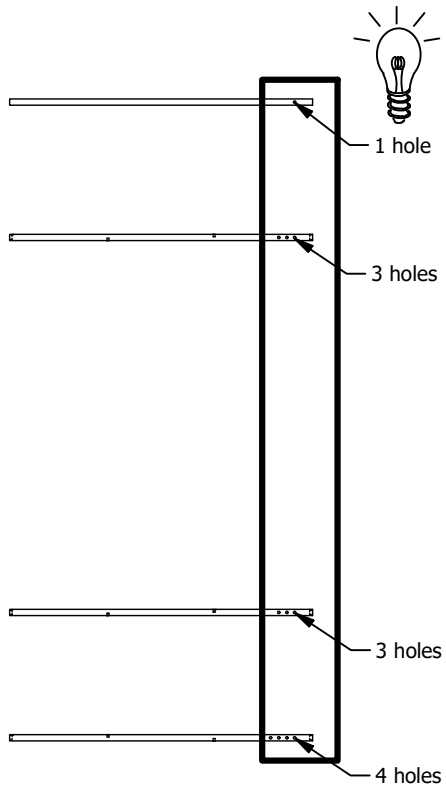
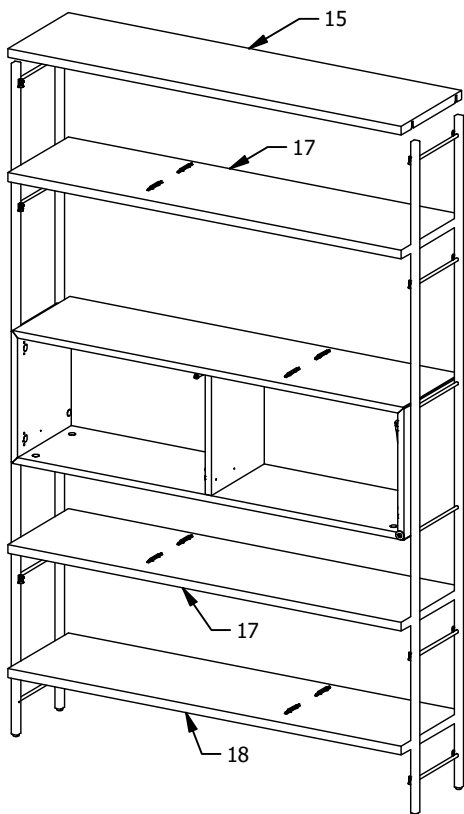
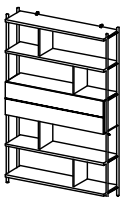
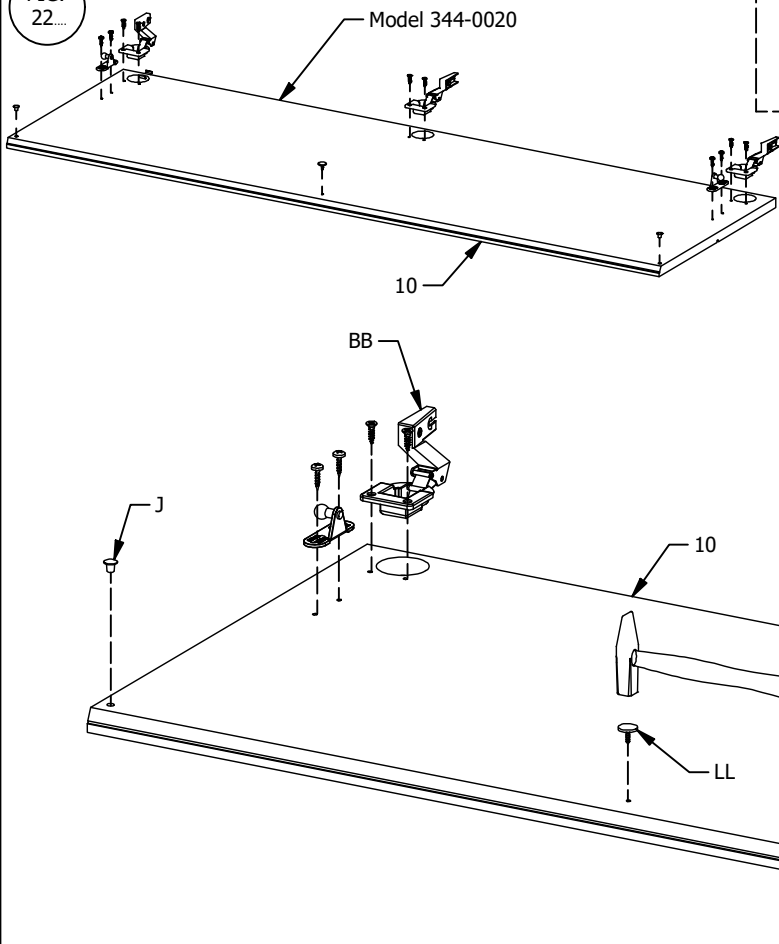


Fig. 22

FIG. 22...









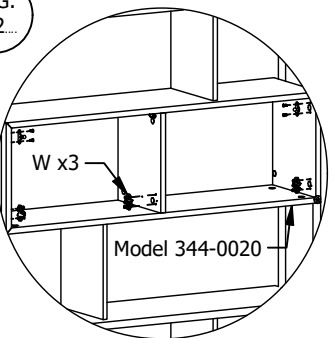
- 
AA
- 
BB
- 
J
- 
LL
- 
DD
- 
EE

FIG. 22...



- 
GG
Screw 1/8" 3x15mm
- 
HH
- 
JJ
- 
KK
- 
Z
- 
FF
6,2x13 mm
- 
W

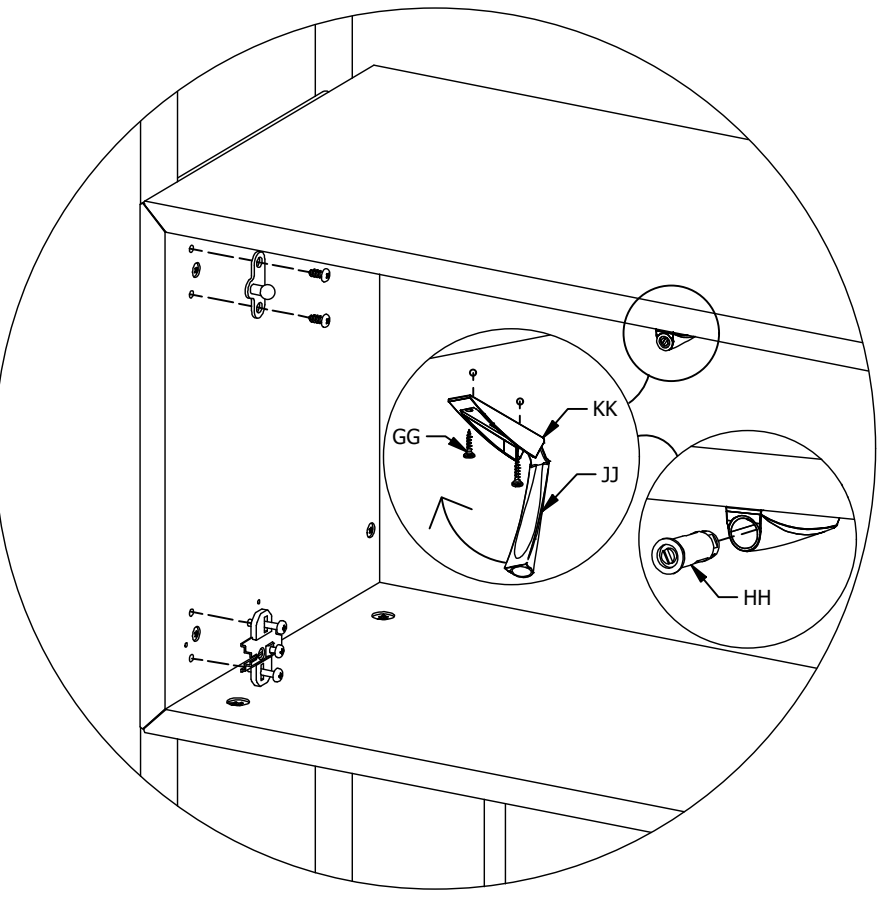
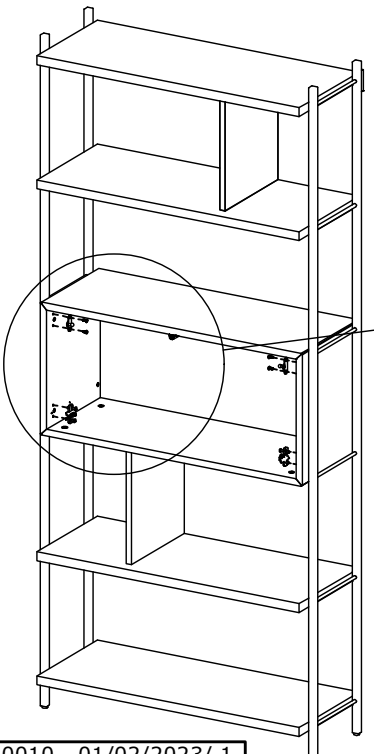


FIG. 23...

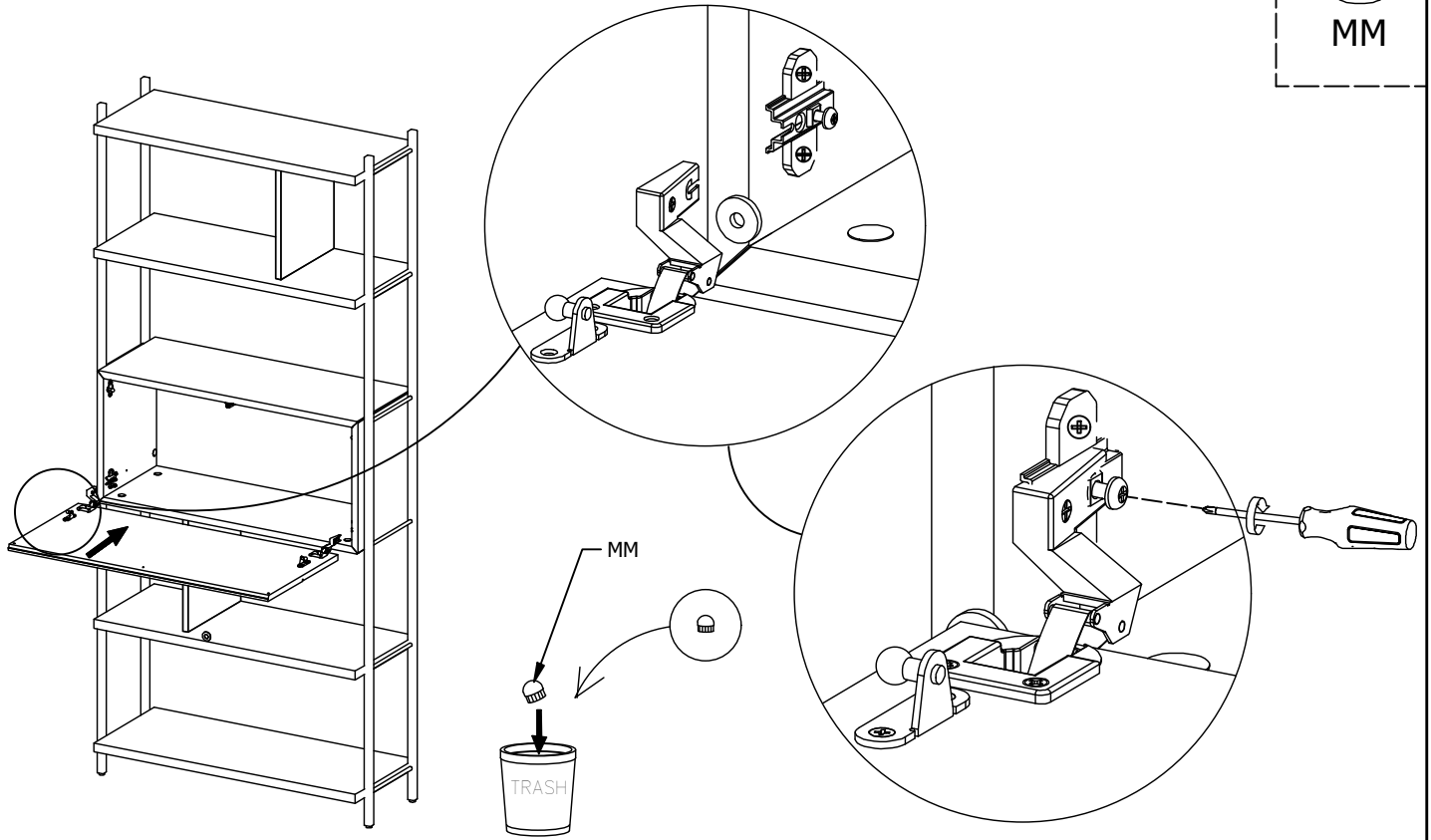


FIG. 24...

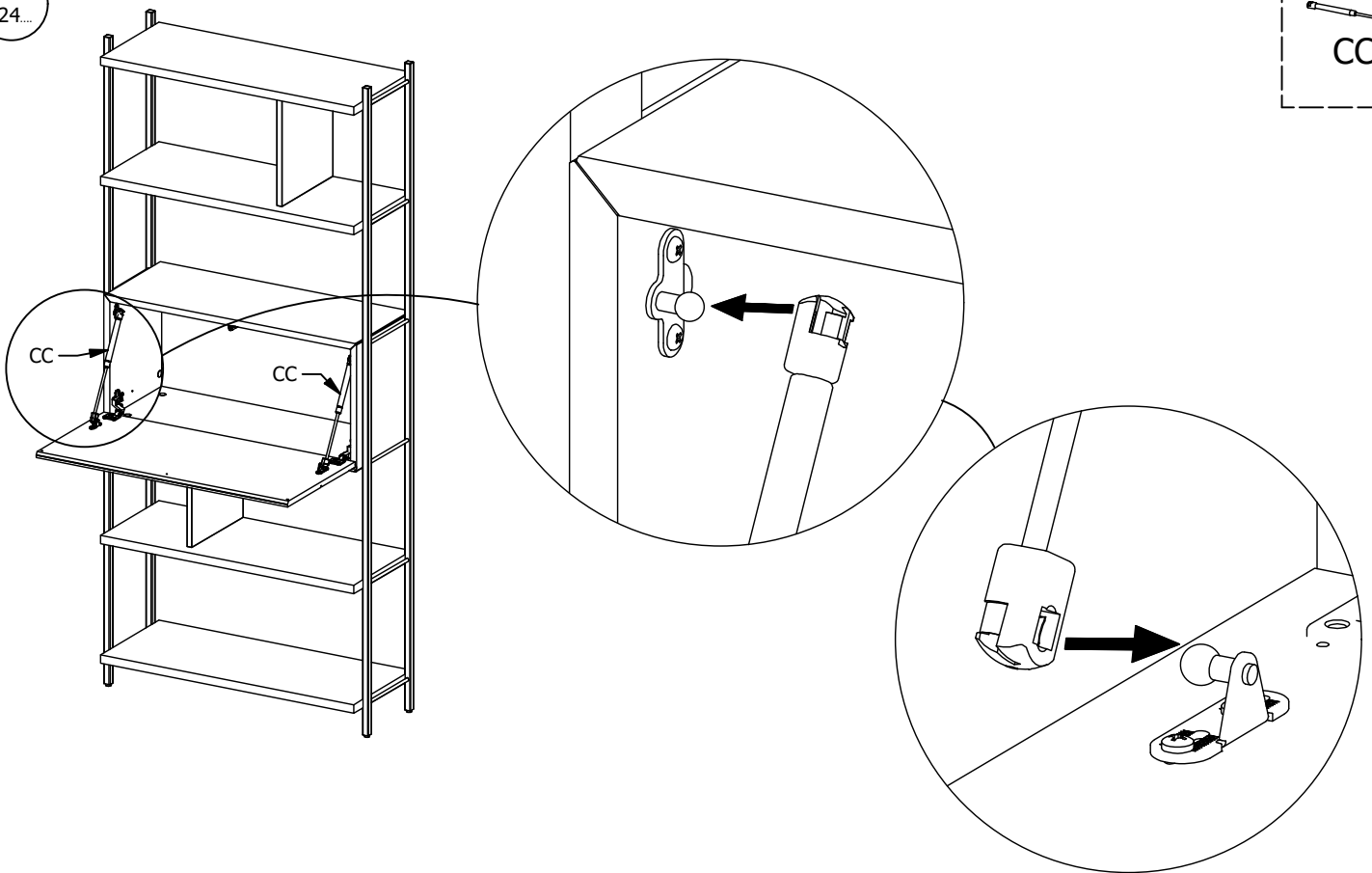


FIG. 25...

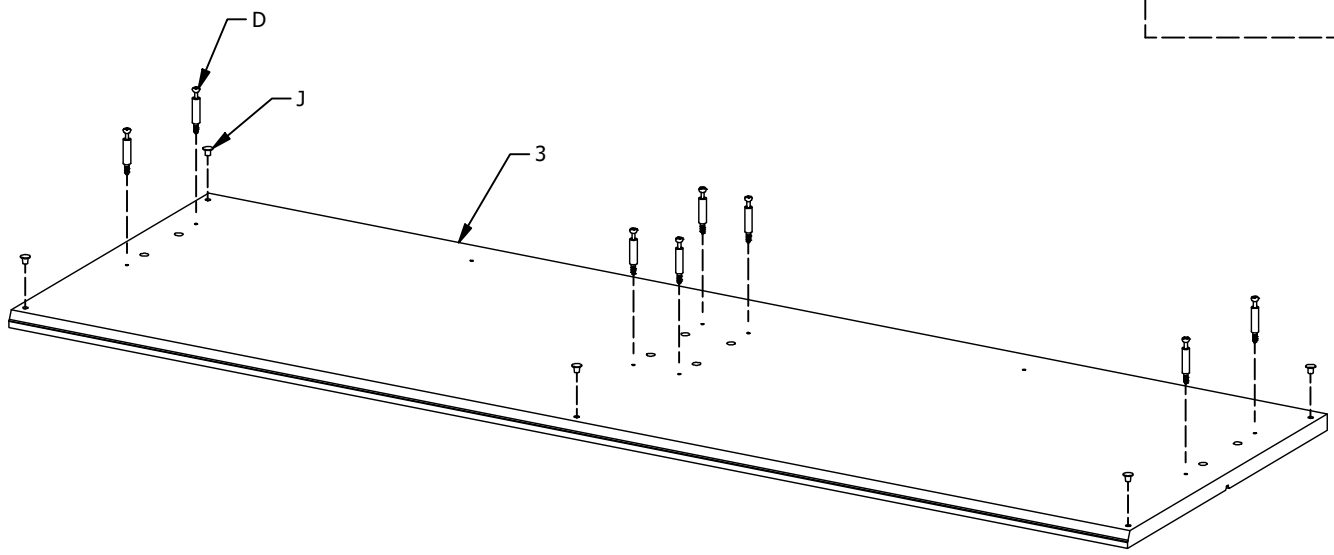
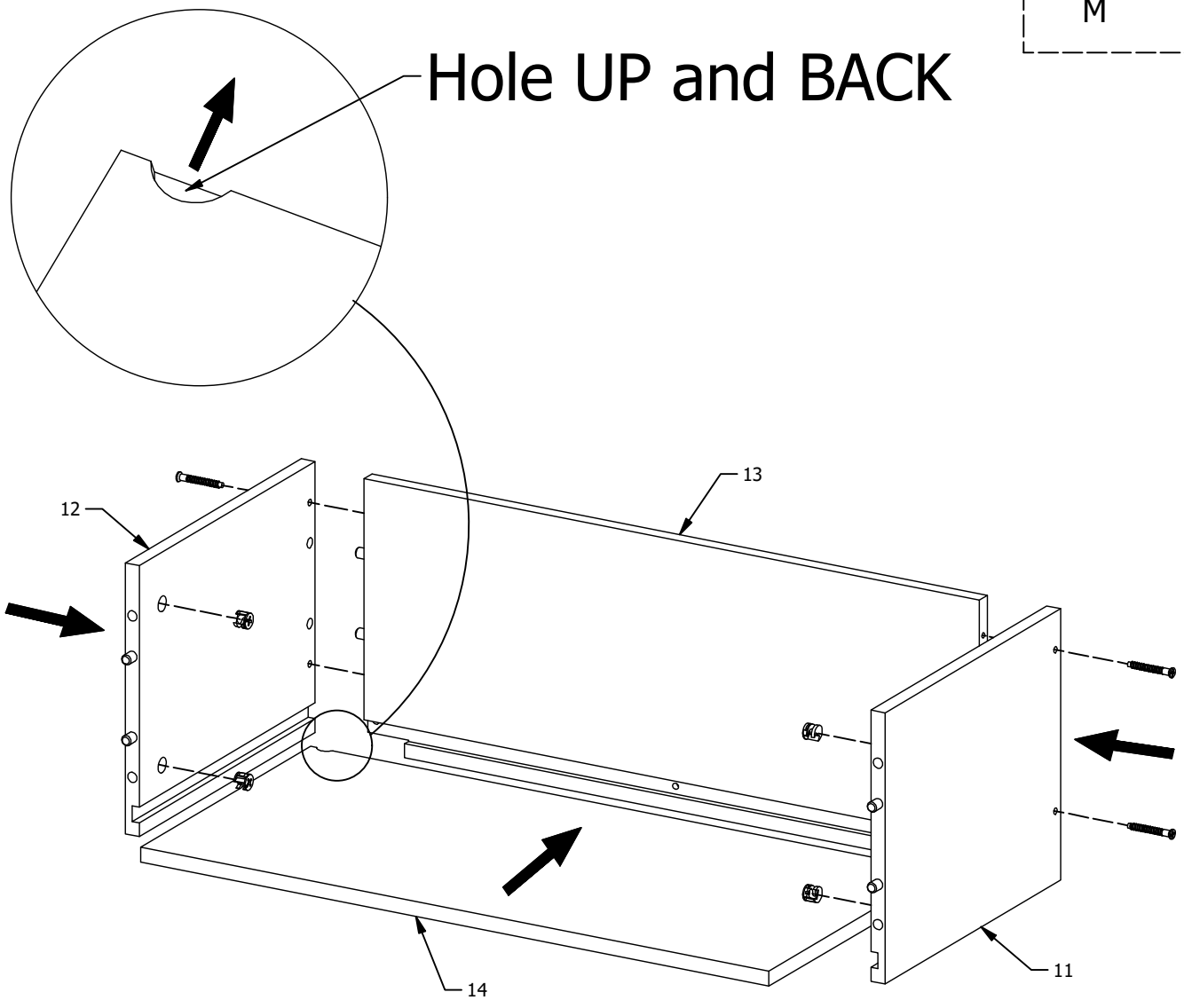


FIG. 26...



Hole UP and BACK

FIG. 27...

N

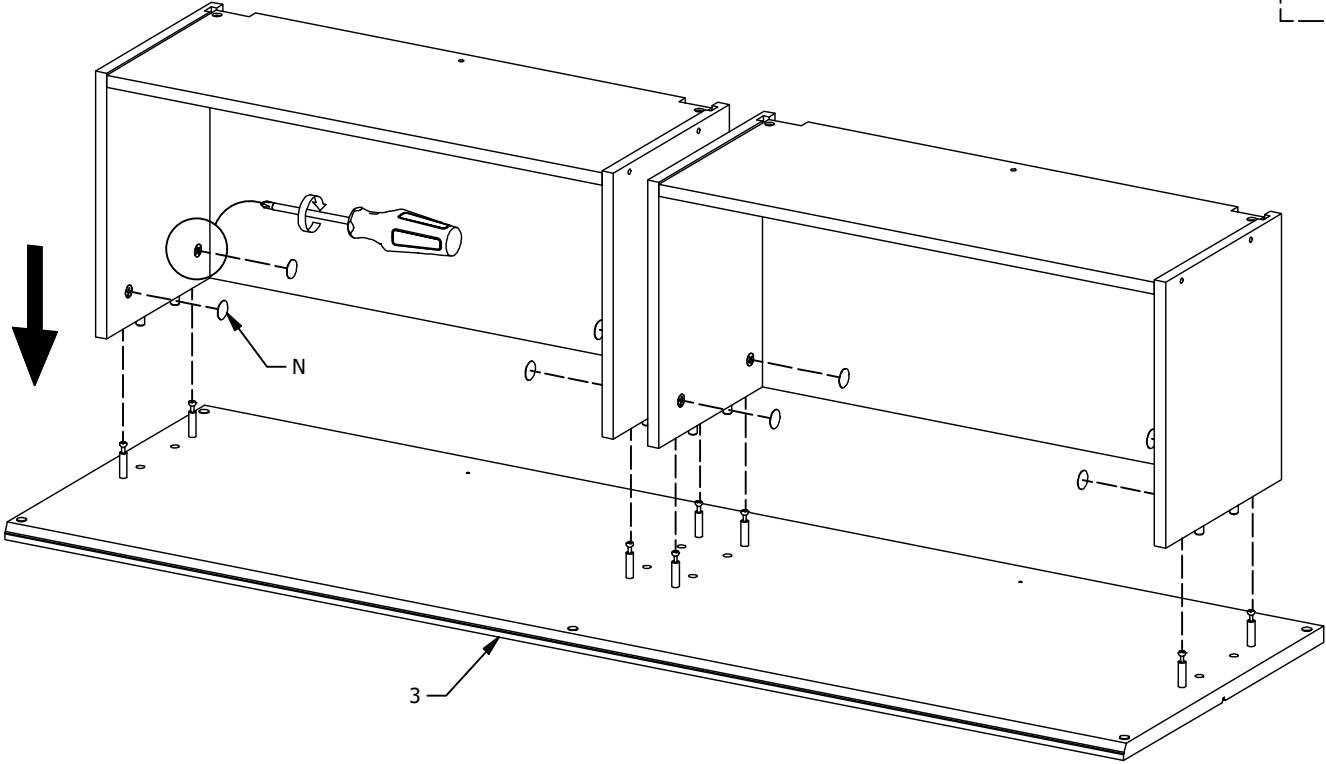
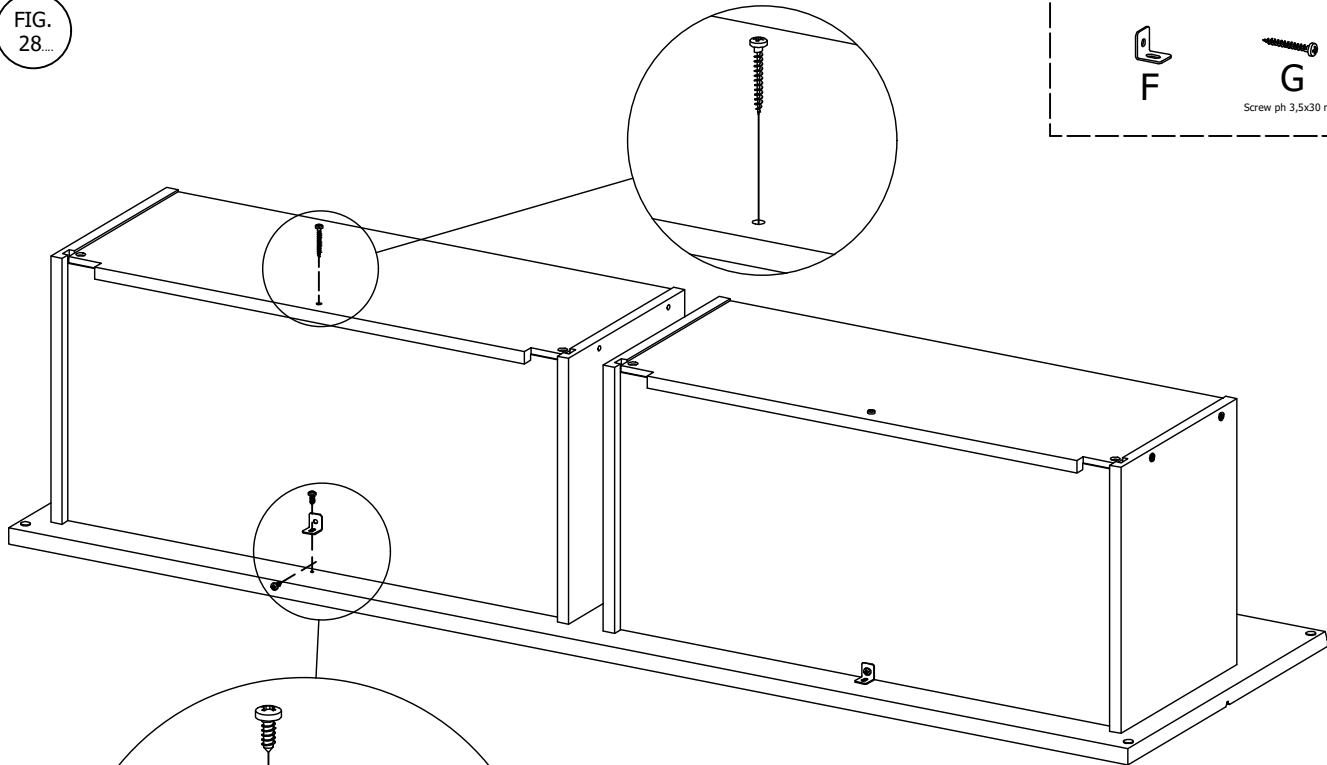


FIG. 28...



Step 3

Important

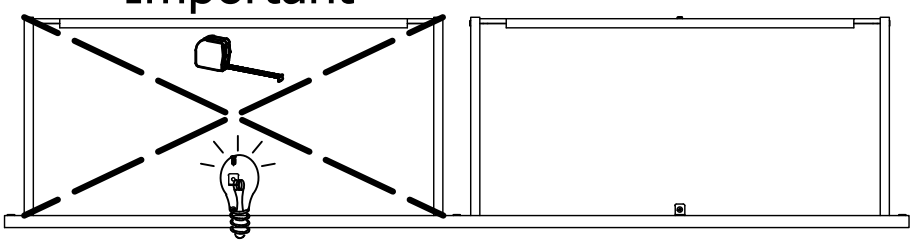


FIG. 29...



Screw ph 3,5x10 mm

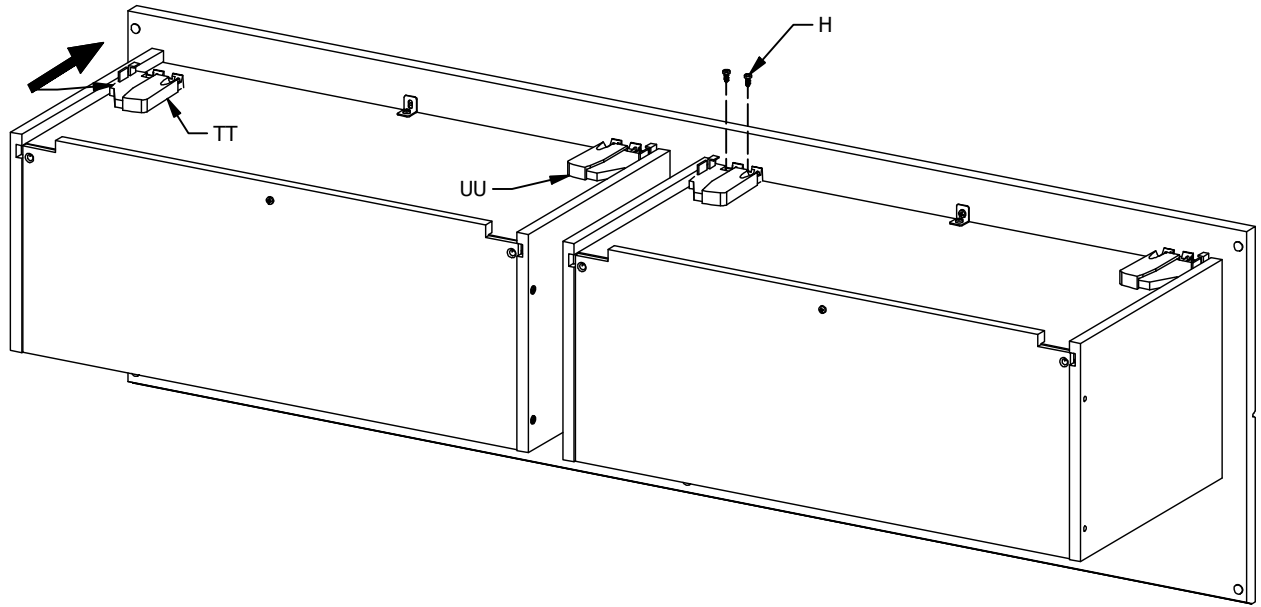
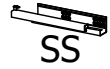


FIG. 30...



Screw flh 3,5x15 mm

Euro screw 4,2x9,5 mm

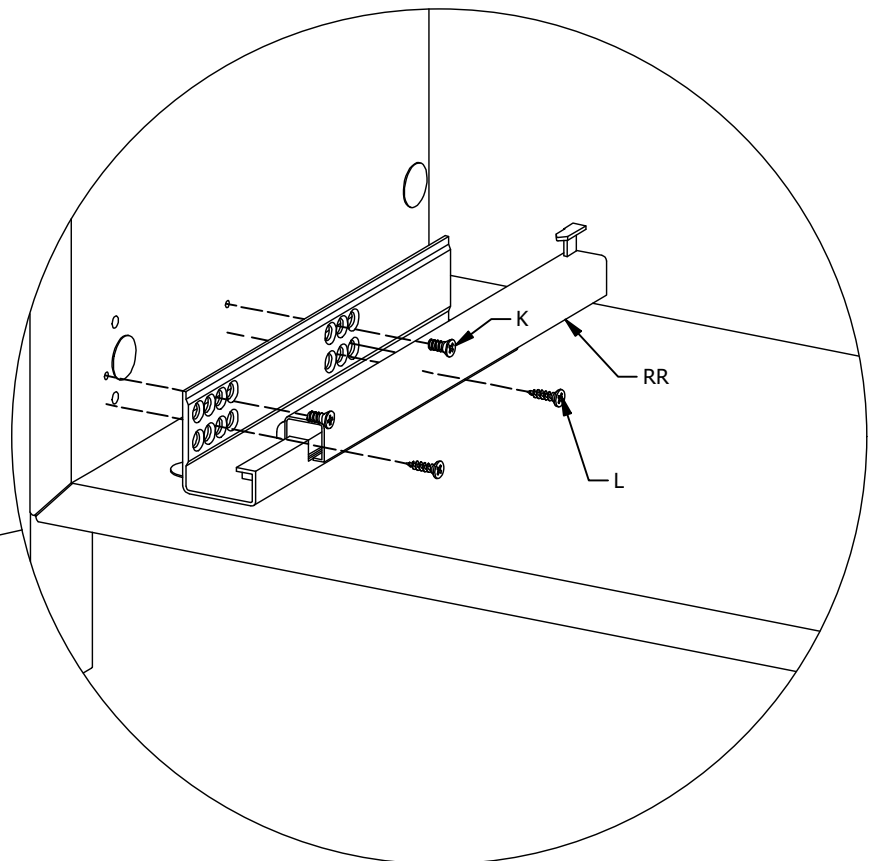
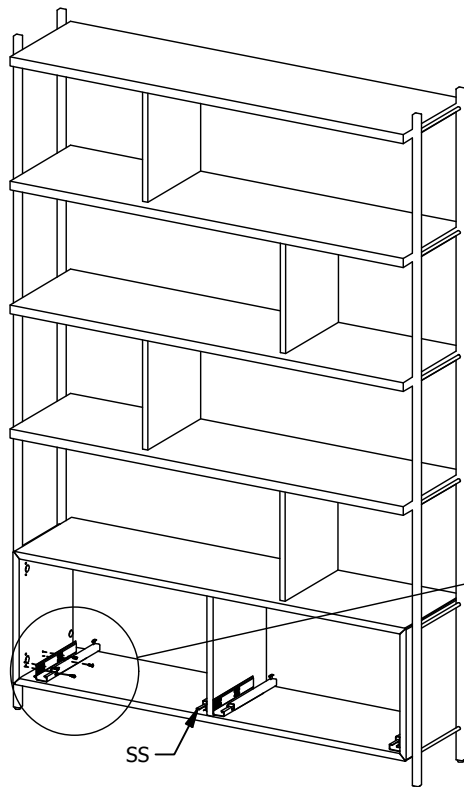


FIG.
31...

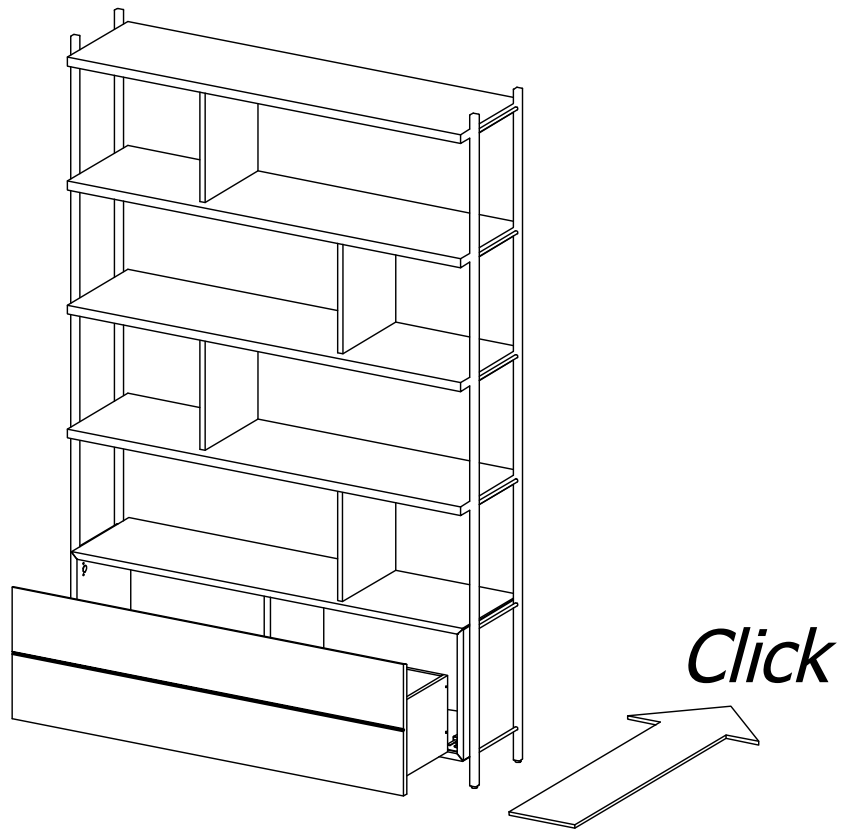


FIG.
32...

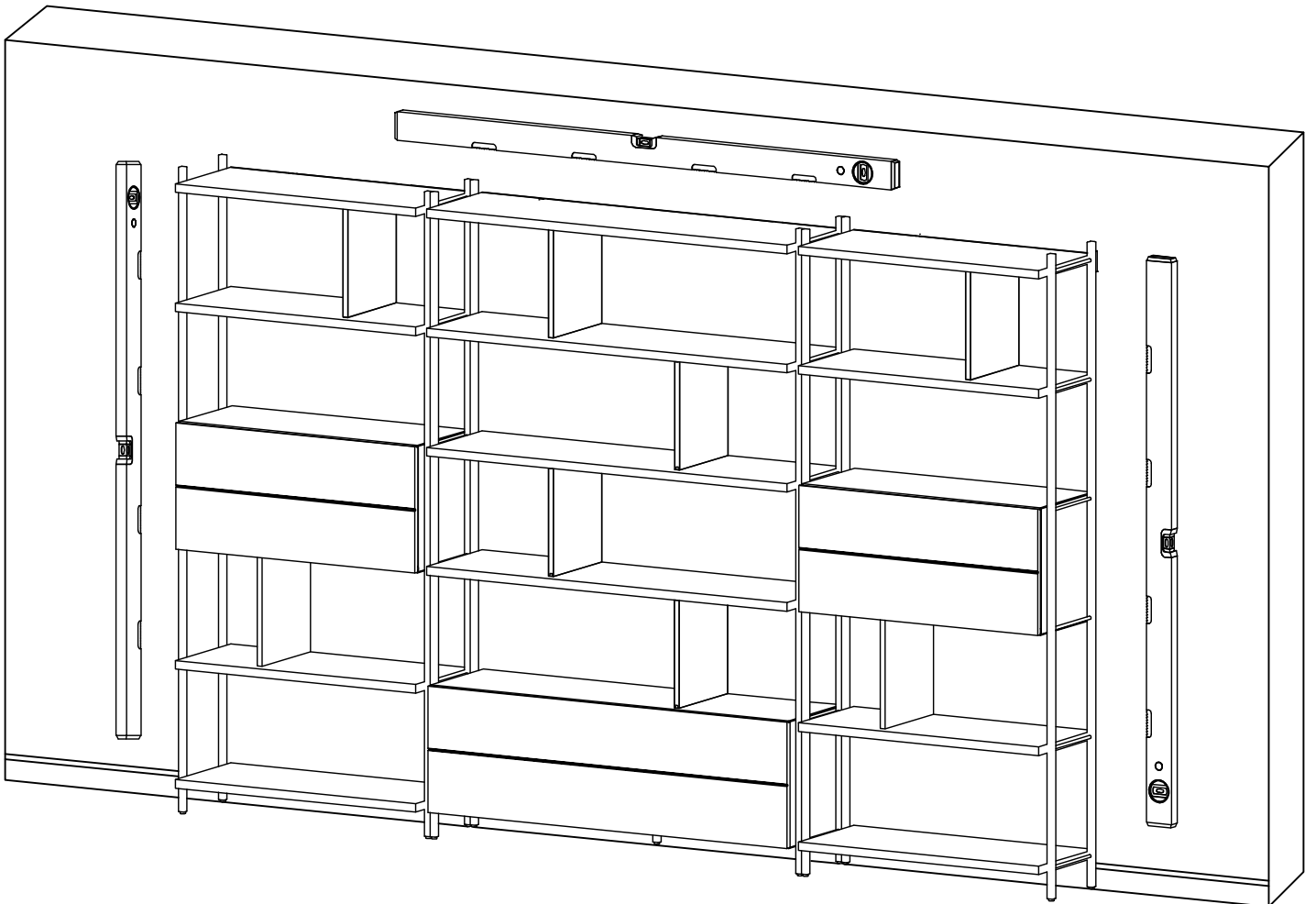
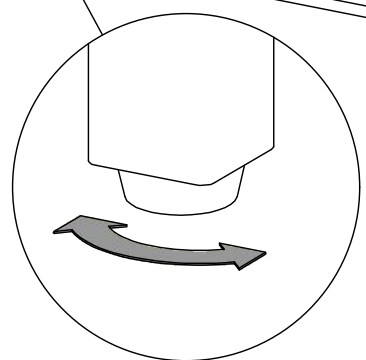
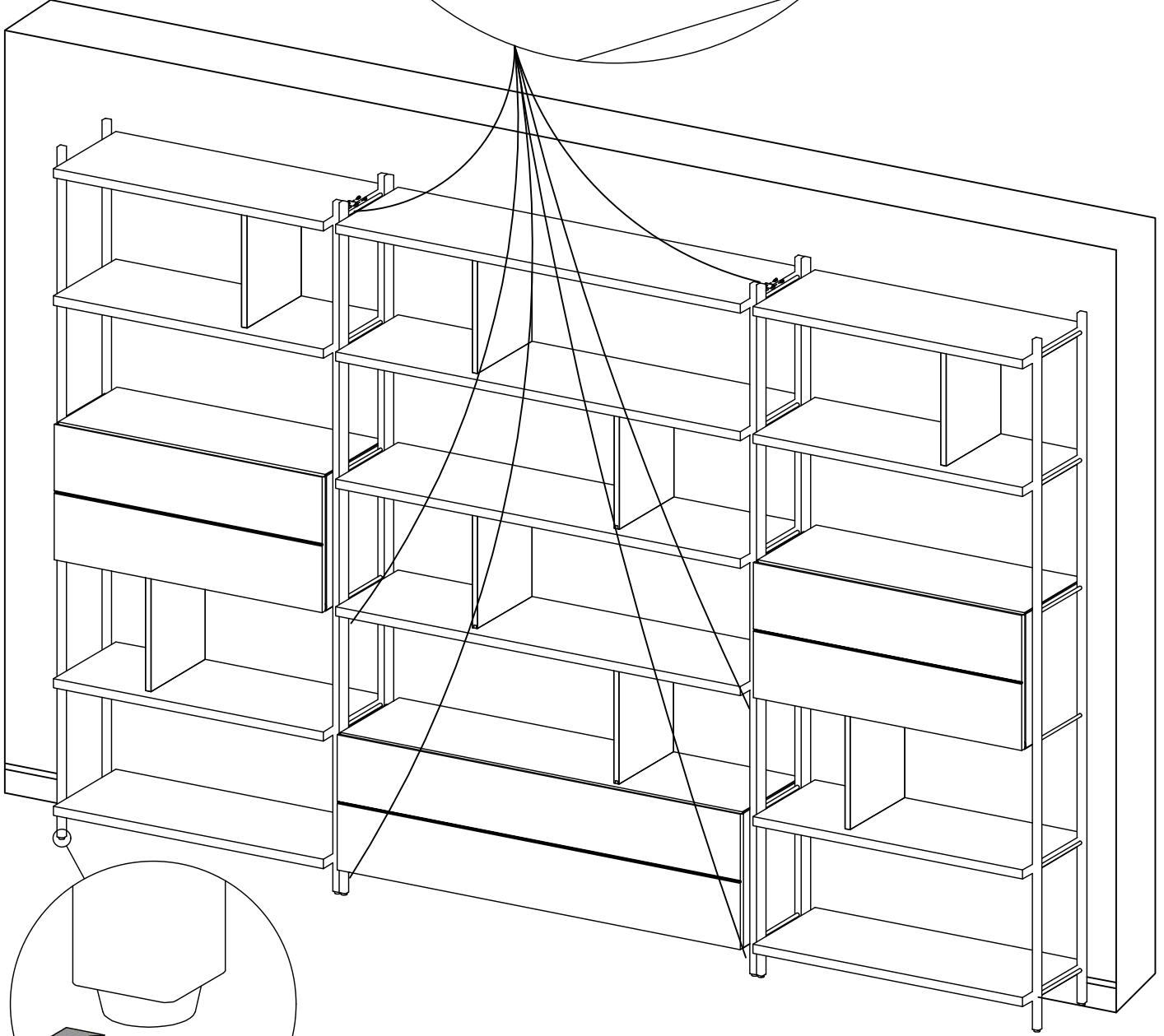
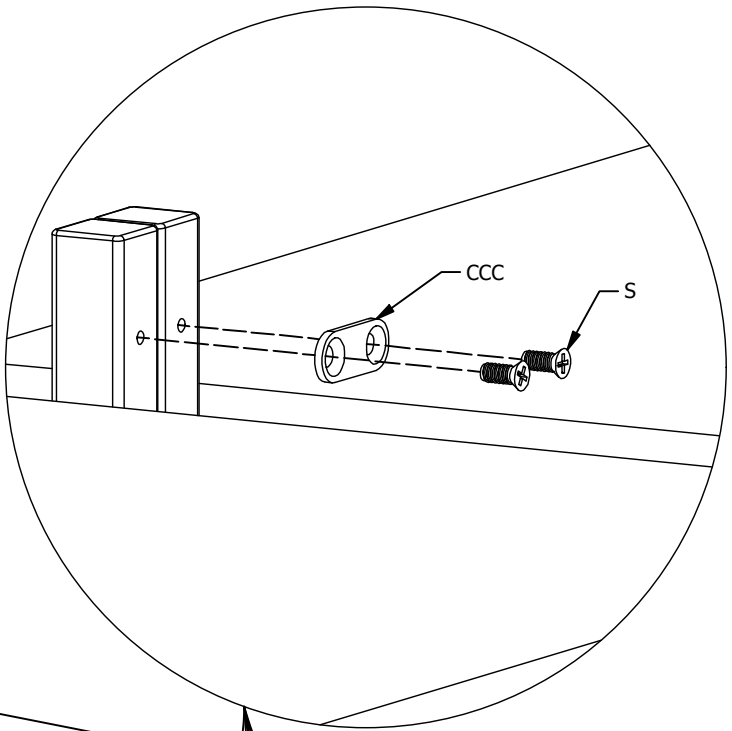
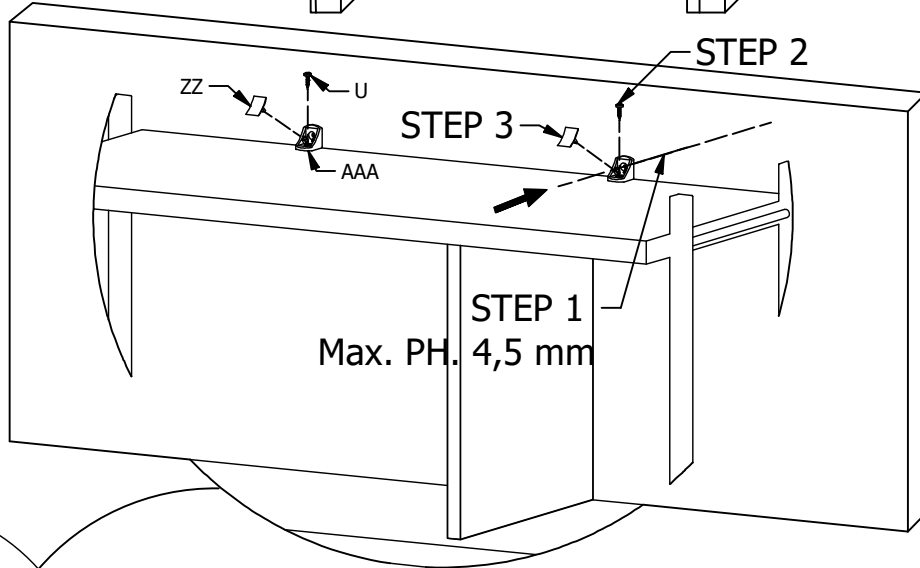
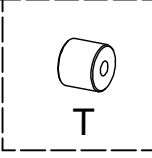
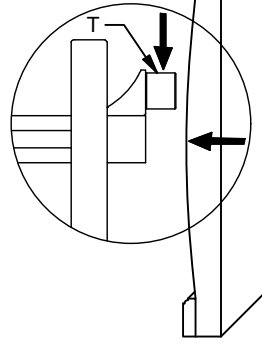
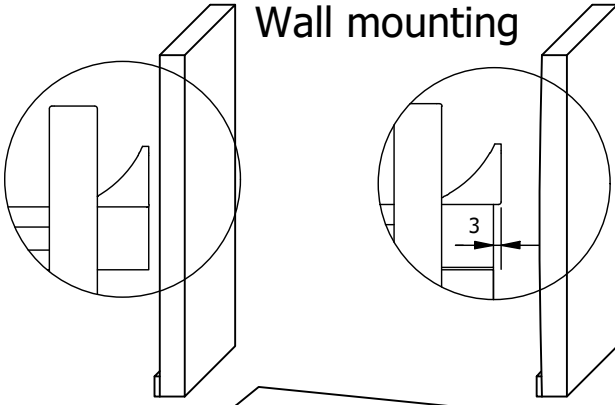


FIG.
33...

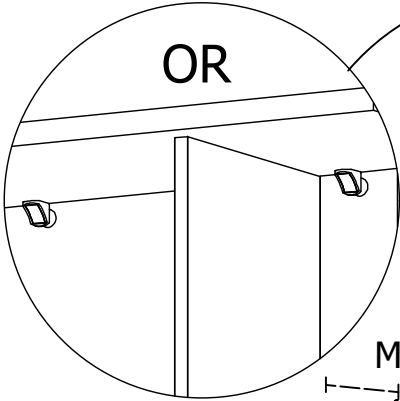


Wall mounting

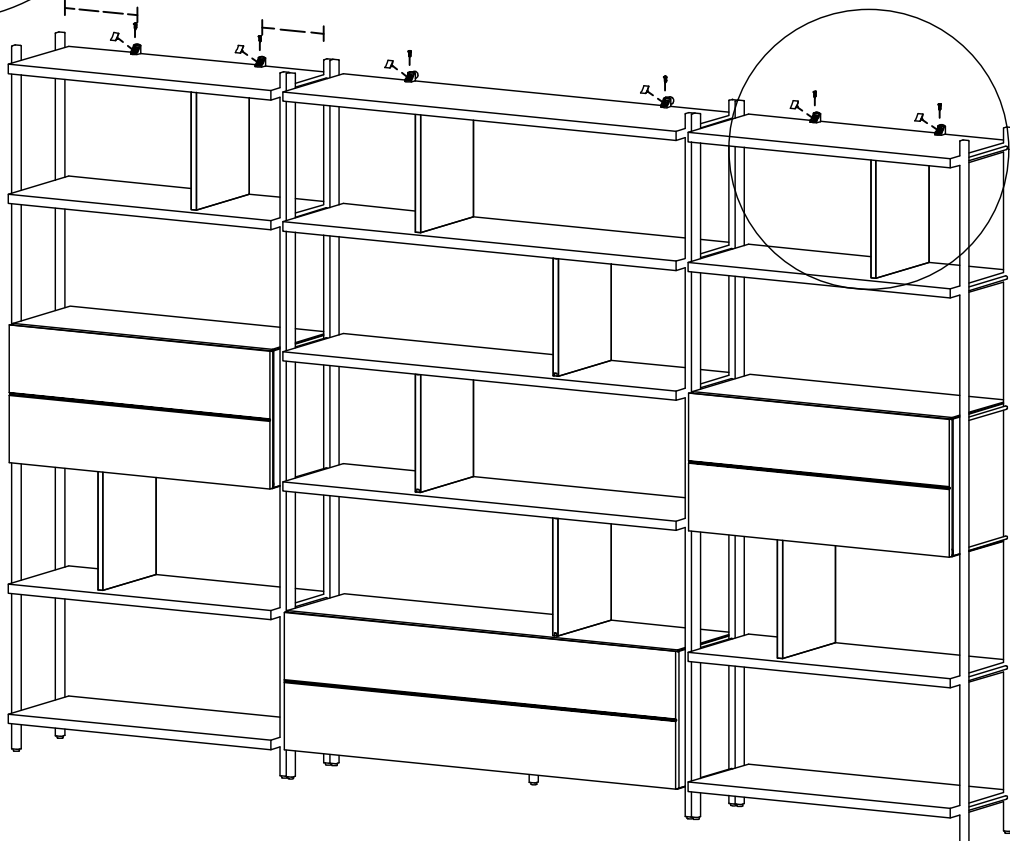
Attention



OR



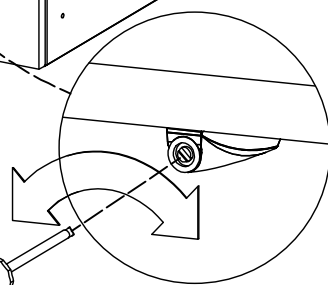
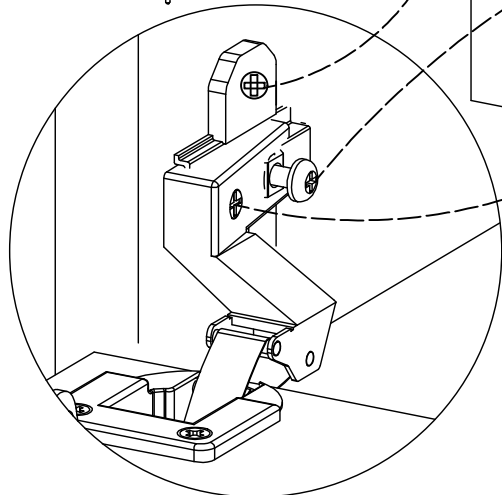
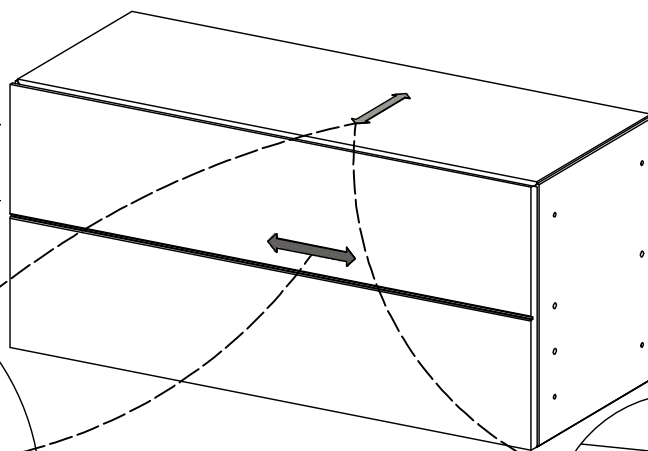
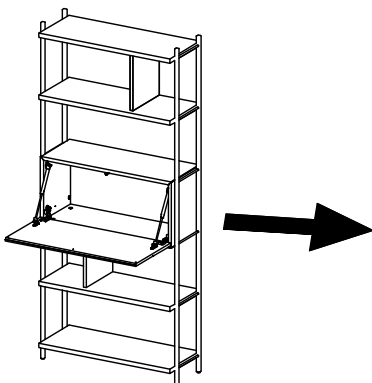
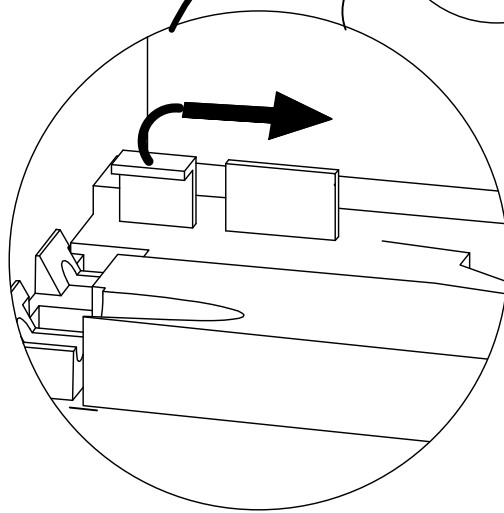
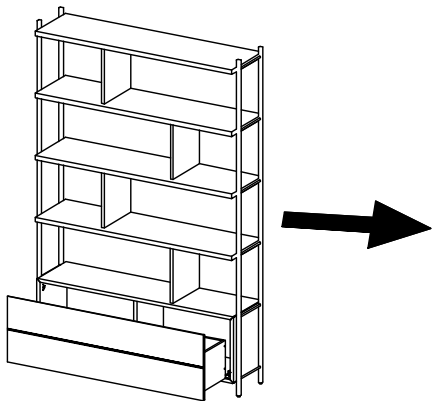
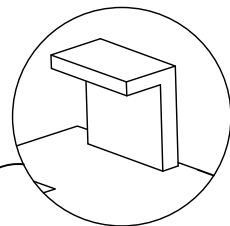
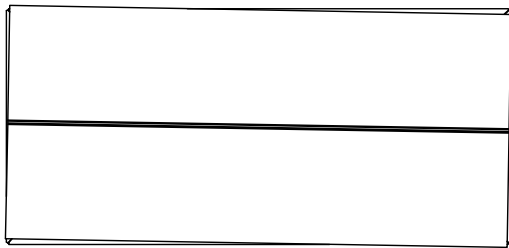
Max. 200 mm



Adjustment

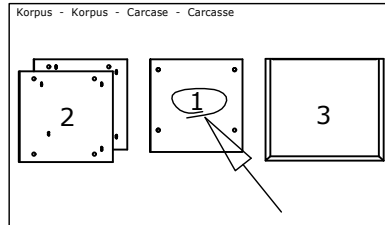
Attention!

OK!



- DK Ved reklamation oplyses følgende:
- D Im Reklamationsfall, bitte folgendes erläutern:
- US In case of claims, please state the following:
- F En cas de réclamation, veuillez indiquer:
- NL Bij service volgene mededelen
- E En caso de reclamación, indicar lo siguiente:
- P No caso de reclamação, por favor indique o seguinte:
- JP お気づきの点等ございましたら、以下の点をお知らせください。

Example!



Beslag - Fittings - Beschläge - Set de Montaje		
A X 8 197200014	B X 12 197200004	C X 4 1979110830
D X 2 1970120000	H X 2 1978504022	J X 8 1978204210